



Datasheet

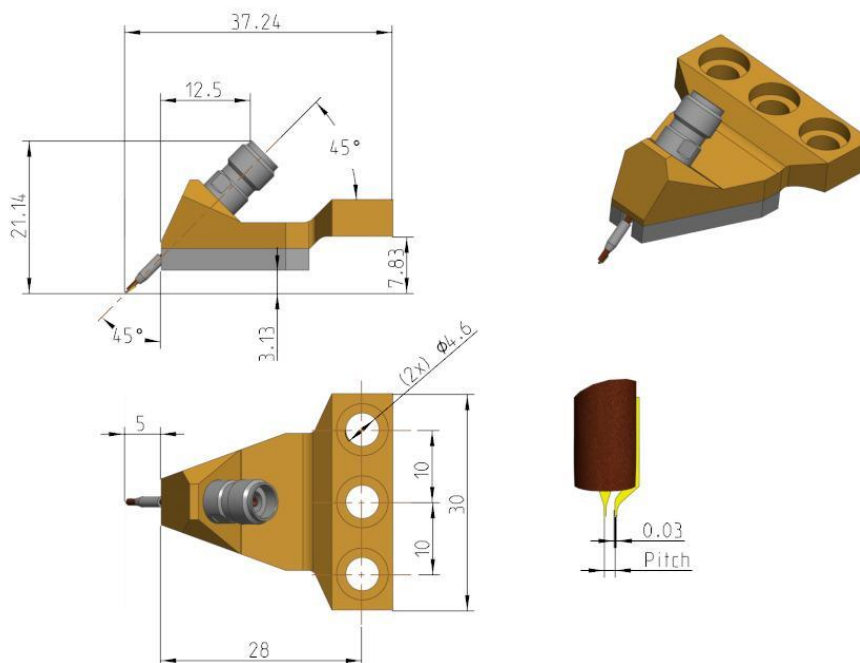
Model Number : TMPC26SG45-200

Penprobe, DC-26GHz, SG Config., 2.92mm-Female

Specifications

Frequency Range	DC-26 GHz
Connector	2.92mm-Female
Impedance	50 Ohms
Return Loss	15dB min
Insertion Loss	0.6dB max
Equiped Connector Angle	45°
Contact Configuration	SG
Probe Pitch	200μm
Recommend Overtravel	50μm~75μm
Contact Resistance	<50MΩ, Au pads
Insulator	PEEK
Material	Aluminum Alloy
Probe Tip	BeCu, Gold Plated(Au pads)
Operating Temperature	-45°C~+85°C
RoHS Status	RoHS Compliant

Outline Drawing [mm]:



Tolerance: ±0.25