



## Datasheet

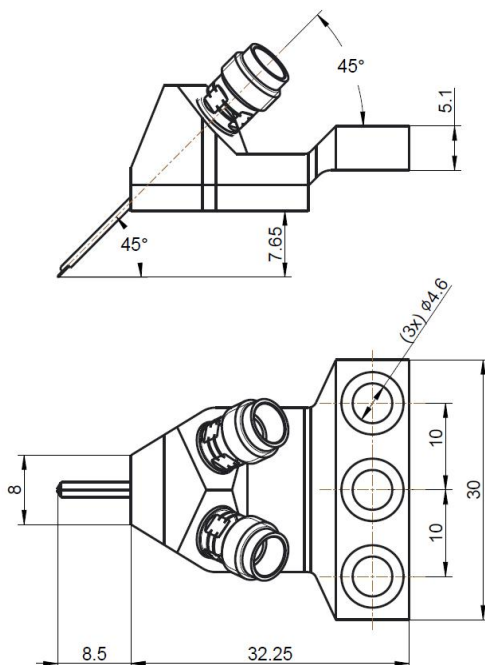
Model Number : TMPC67SS45-200

### Penprobe, DC-67GHz, SS Config., 1.85mm-Female

## Specifications

Frequency Range	DC-67 GHz
Connector	1.85mm-Female
Impedance	50 Ohms
Return Loss	15dB min
Insertion Loss	1.2dB max
Equiped Connector Angle	45°
Contact Configuration	SS
Probe Pitch	200μm
Recommend Overtravel	50μm~75μm
Material	Aluminum Alloy
Probe Tip	Nickel Alloy, Gold Plated
Insulator	mmWave Material
Operating Temperature	-45°C~+85°C
RoHS Status	RoHS Compliant

Outline Drawing[mm]:



Tolerance: ±0.25