



## Datasheet

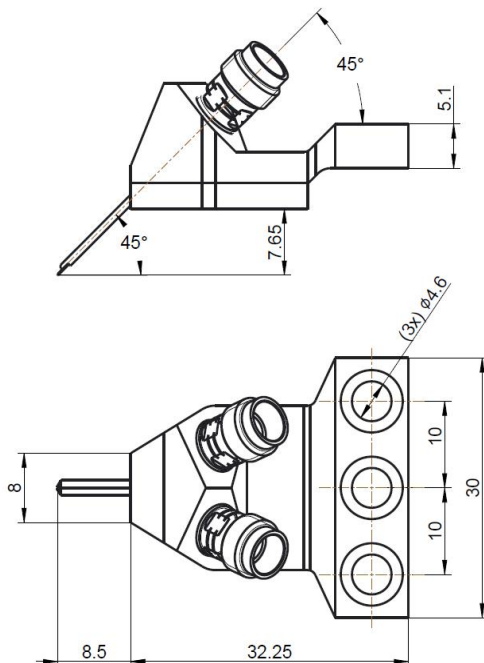
Model Number : TMPC67SGS45-100

### Penprobe, DC-67GHz, GSGSG Config., 1.85mm-Female

## Specifications

Frequency Range	DC-67 GHz
Connector	1.85mm-Female
Impedance	50 Ohms
Return Loss	12dB min@DC-67 GHz (based on 125 $\mu$ m pitch)
Insertion Loss	1.2dB max
Contact Resistance	<50 $\Omega$ , Au pads; <75 $\Omega$ , Al pads
Equiped Connector Angle	45°
Contact Configuration	GSGSG
Probe Pitch	100 $\mu$ m
Recommend Overtravel	50 $\mu$ m~75 $\mu$ m
Material	Aluminum Alloy
Probe Tip	BeCu, Gold Plated
Insulator	mmWave Material
Operating Temperature	-45°C~+85°C
RoHS Status	RoHS Compliant

### Outline Drawing[mm]:



Tolerance:  $\pm 0.25$