

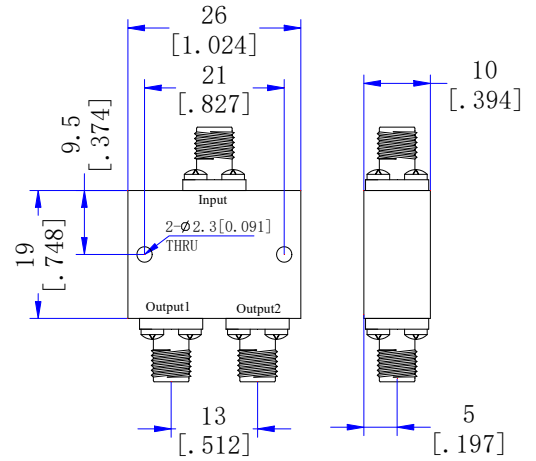
TMPD2-17002200-20S

**17 to 22 GHz, 20W, SMA Female
 2-WAY POWER DIVIDER**

Electrical Characteristics

FREQUENCY RANGE	17~22GHz
INSERTION LOSS	0.6dB max.
(excluding theoretical insertion loss 3.0dB)	
AMPLITUDE BALANCE	±0.3dB
PHASE BALANCE	±3 Deg.
VSWR(input port)	1.28 typ. & 1.5 max.
VSWR(output ports)	1.26 typ. & 1.5 max.
ISOLATION	24dB typ. & 16dB min.
IMPEDANCE	50 Ohms
POWER RATING(as a divider)	20W
POWER RATING(as a combiner)	1W

Outline Drawing(mm[inch])



Mechanical and Enviromental Characteristics

Dimensions	19×26×10mm
RF Connectors	SMA female
Surface Finishing	Black Paint
Operating Temperature	-45°C ~ +85°C
Weight	21g