

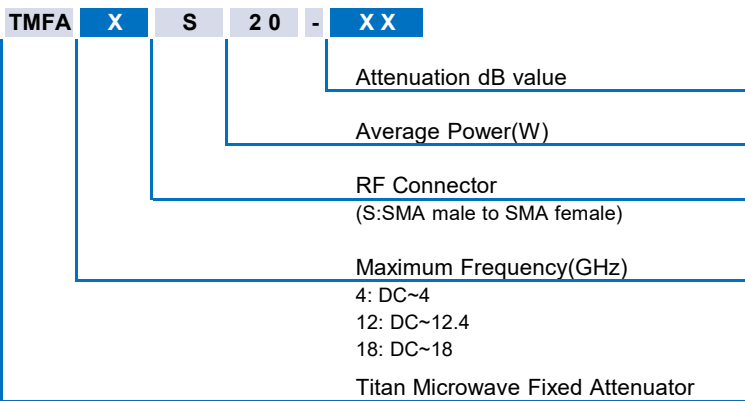
SPECIFICATIONS

Frequency Range:	DC~18GHz
Input Avg Power:	20W@25°C
Impedance:	50 Ohms
Attenuation:	1-60dB
VSWR:	1.35 max.
Connector:	SMA-Male to SMA-Female
Operating Temp.:	-55°C~+125°C
Connector Body:	Gold plated brass / Stainless steel
Female Center Contact:	Gold plated beryllium copper
Male Center Contact:	Gold plated brass
Heat Sink:	Black anodized aluminum
Dimensions:	Ø15×54 mm
Net Weight:	27.1g
RoHS Status:	RoHS Compliant

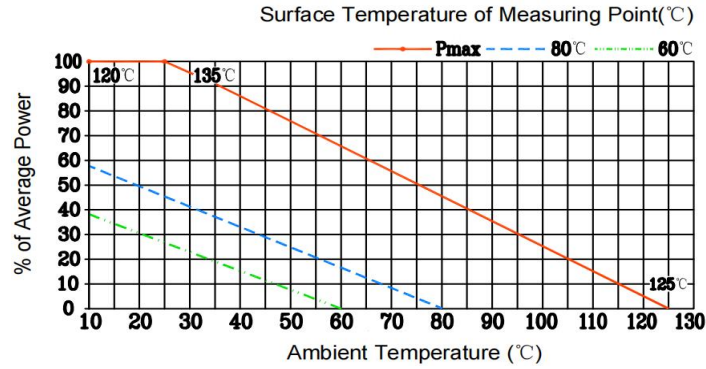
Maximum Deviation over Frequency

Nominal ATTN(dB)	Frequency Range(GHz)			
	DC~4	DC~8	DC~12.4	DC~18
1~10	0.4	0.5	0.6	0.6
11~20	0.5	0.6	0.7	0.8
21~30	0.6	0.8	0.8	1.0
31~40	0.7	0.8	0.9	1.2
41~50	0.8	0.8	1.0	1.3
51~60	0.9	1.0	1.2	1.5
VSWR(Max.)	1.2	1.25	1.3	1.35

Ordering Information



Power/Temp Rating Curve



Dimensions [mm]

