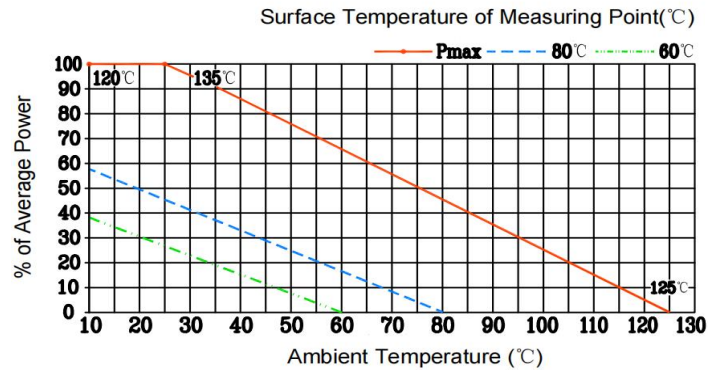


**SPECIFICATIONS**

Frequency Range:	DC~6 GHz
Input Avg Power:	5W@25°C
Impedance:	50 Ohms
Attenuation:	1-30dB
VSWR:	1.20 max.
Connector:	4.3/10-Male and 4.3/10-Female
Operating Temp.:	-55°C~+125°C
Connector Body:	Stainless Steel
Female Center Contact:	Gold plated beryllium copper
Male Center Contact:	Gold plated brass
Heat Sink:	N/A
Dimensions:	M20×48 mm
RoHS Status:	RoHS Compliant

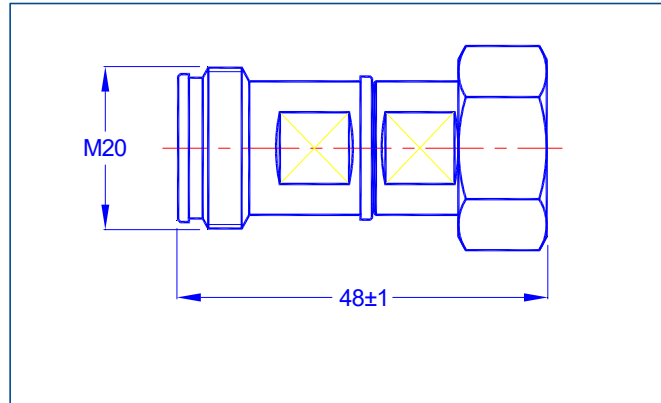
**Power/Temp Rating Curve**



**Maximum Deviation over Frequency**

Nominal ATTN(dB)	Frequency Range(GHz)			
	DC~3	DC~6	-	-
1-6	±0.3	±0.3	-	-
7-10	±0.5	±0.5	-	-
11-20	±0.6	±0.6	-	-
21-30	±0.8	±0.8	-	-
VSWR(max)	1.15	1.2	-	-

**Dimensions [mm]**



**Ordering Information**

<b>TMFA6</b>	<b>X</b>	<b>4</b>	<b>5</b>	<b>-</b>	<b>XX</b>
					XX: Attenuation dB value
					Average Power(W)
					RF Connector (4: 4.3/10-Male and 4.3/10-Female)
					X: Maximum Frequency(GHz) 03: DC~3 GHz 06: DC~6 GHz
					Titan Microwave Fixed Attenuator