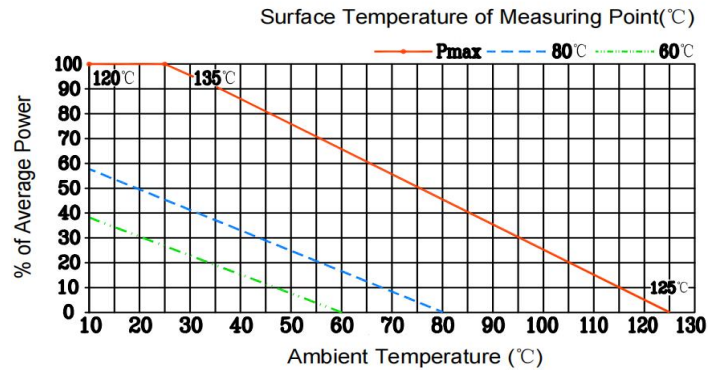


SPECIFICATIONS

Frequency Range:	DC~6 GHz
Input Avg Power:	5W@25°C
Impedance:	50 Ohms
Attenuation:	1-30dB
VSWR:	1.25 max.
Connector:	BNC-Male and BNC-Female
Operating Temp.:	-55°C~+125°C
Connector Body:	Stainless Steel
Female Center Contact:	Gold plated beryllium copper
Male Center Contact:	Gold plated brass
Heat Sink:	Black Anodized Aluminum
Dimensions:	Ø29×35.5 mm
RoHS Status:	RoHS Compliant

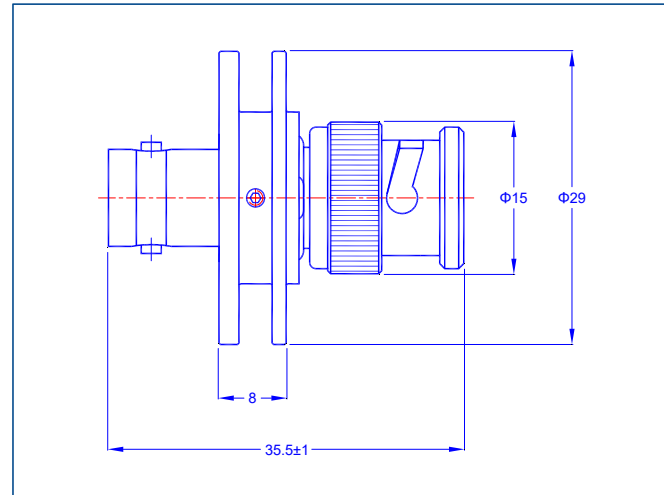
Power/Temp Rating Curve



Maximum Deviation over Frequency

Nominal ATTN(dB)	Frequency Range(GHz)			
	DC~3	DC~6	-	-
1-6	±0.3	±0.3	-	-
7-20	±0.5	±0.5	-	-
21-30	±0.75	±0.75	-	-
VSWR(max)	1.2	1.25	-	-

Dimensions [mm]



Ordering Information

TMFA6	X	B	5	-	XX
					XX: Attenuation dB value
					Average Power(W)
					RF Connector (B: BNC-Male and BNC-Female)
					X: Maximum Frequency(GHz) 03: DC~3 GHz 06: DC~6 GHz
Titan Microwave Fixed Attenuator					