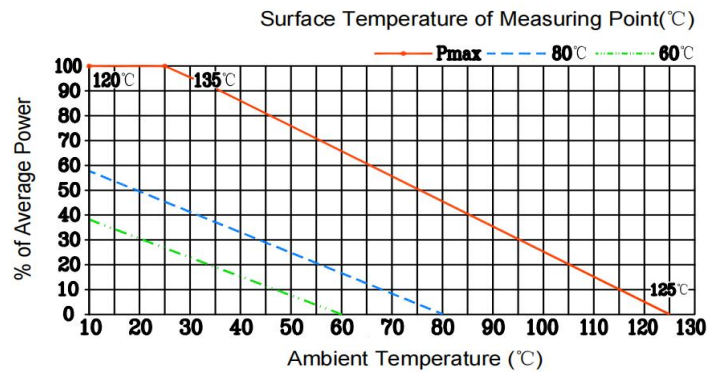


SPECIFICATIONS

Frequency Range:	DC~6 GHz
Input Avg Power:	50W@25°C
Impedance:	50 Ohms
Attenuation:	1-50dB
VSWR:	1.25 max.
Connector:	N-Male to DIN 7/16-Female
Operating Temp.:	-55°C~+125°C
Female Center Contact:	Gold plated beryllium copper
Male Center Contact:	Gold plated brass
Heat Sink:	Black Anodized Aluminum
Dimensions:	Ø64×70 mm
RoHS Status:	RoHS Compliant

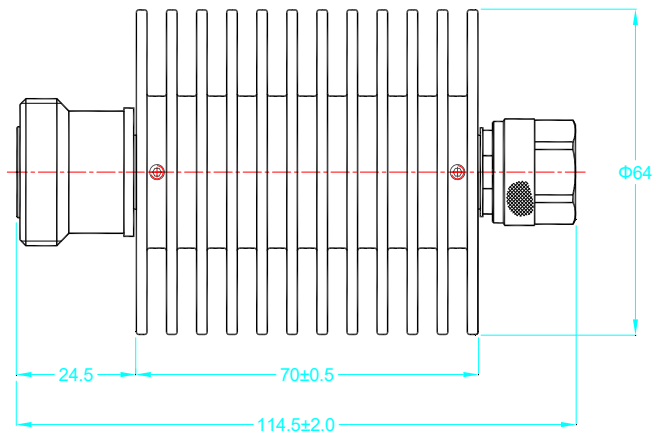
Power/Temp Rating Curve



Maximum Deviation over Frequency

Nominal ATTN(dB)	Frequency Range(GHz)			
	DC~4	DC~6	-	-
1-10	±0.4	±0.5	-	-
20	±0.5	±0.6	-	-
30	±0.7	±0.8	-	-
40-50	±0.8	±0.9	-	-
VSWR(max)	1.2	1.25	-	-

Dimensions [mm]



Ordering Information

