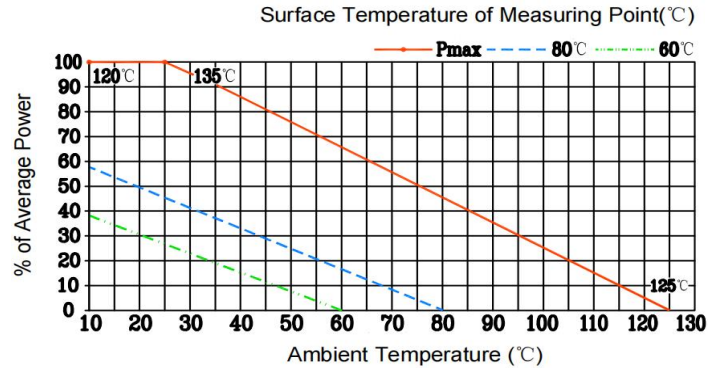


SPECIFICATIONS

Frequency Range:	DC~6 GHz
Input Avg Power:	100W@25°C
Impedance:	50 Ohms
Attenuation:	6-60dB
VSWR:	1.25 max.
Connector:	4.3-10 Male to 4.3-10 Female
Operating Temp.:	-55°C~+125°C
Connector Body:	Gold plated brass
Female Center Contact:	Gold plated beryllium copper
Male Center Contact:	Gold plated brass
Heat Sink:	Black Anodized Aluminum
Dimensions:	64×64×105mm
RoHS Status:	RoHS Compliant

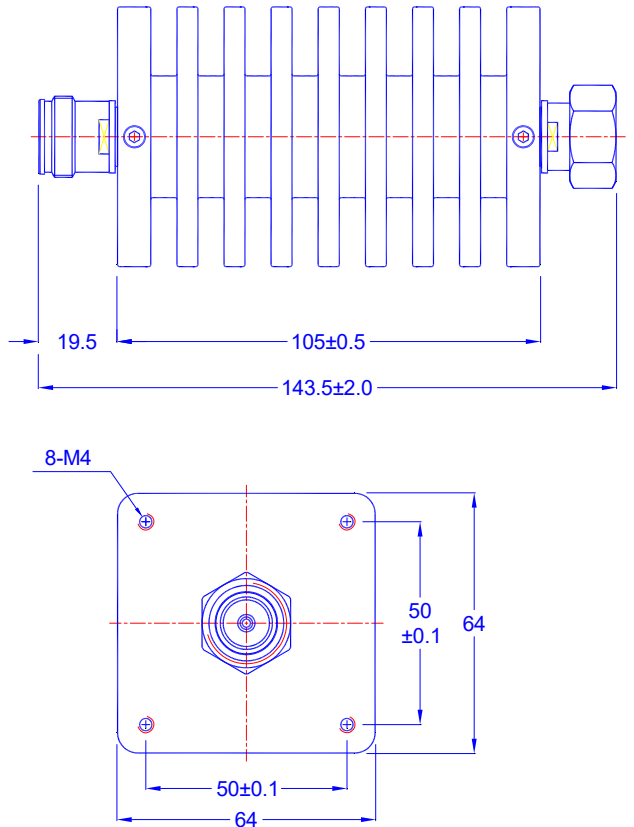
Power/Temp Rating Curve



Maximum Deviation over Frequency

Nominal ATTN(dB)	Frequency Range(GHz)			
	DC~4	DC~6	-	-
6-10	±0.7	±0.8	-	-
20	±0.7	±0.8	-	-
30	±0.8	±0.9	-	-
40	±0.8	±0.9	-	-
50-60	±1.0	±1.0	-	-
VSWR(max)	1.2	1.25	-	-

Outline Drawing[mm]



Ordering Information

TMFA6	X	4	100B	-	XX
XX: Attenuation dB value					
Average Power(W)					
RF Connector (4: 4.3-10 Male to 4.3-10 Female)					
X: Maximum Frequency(GHz) 03: DC~3 GHz 06: DC~6 GHz					
Titan Microwave Fixed Attenuator					