

SPECIFICATIONS

Frequency Range:	DC~40 GHz
Input Avg Power:	5W@25°C, 0.5W@125°C
Peak Power:	200W(5μs Pulse Width, 2.5% Duty Cycle)
Impedance:	50 Ohms
Attenuation:	1-40dB
VSWR:	1.40 max.
Connector:	2.4mm-Male and 2.4mm-Female
Operating Temp.:	-55°C~+125°C
Connector Body:	Gold Plated Brass
Female Center Contact:	Gold plated beryllium copper
Male Center Contact:	Gold plated brass
Weight:	20g
RoHS Status:	RoHS Compliant

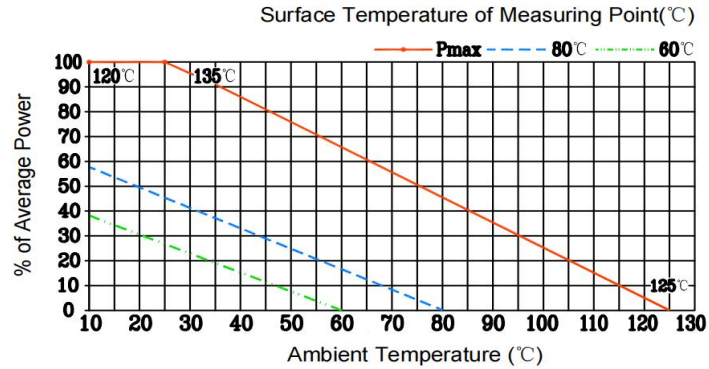
Maximum Deviation over Frequency

Nominal ATTN (dB)	Frequency Range(GHz)			
	DC-26.5	DC-32	26.5-40	
1-9	-0.8/+0.5	±1.0	±1.0	
10	±0.6	±1.0	±1.0	-
20	±0.8	±1.0	-1.0/+1.5	-
30	-0.8/+1.0	±1.4	±1.5	-
40	-1.2/+1.0	±1.5	-1.0/+2.0	-
VSWR(max)	1.25	1.3	1.4	-

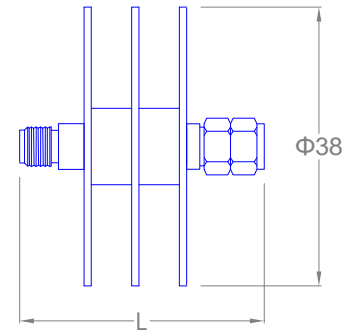
Ordering Information

TMFA40	X	W	5	-	XX
					XX: Attenuation dB value
					Average Power(W)
					RF Connector (W: 2.4mm-Male and 2.4mm-Female)
					X: Maximum Frequency(GHz) 26: DC-26.5 GHz 32: DC-32 GHz 40: DC-40 GHz
					Titan Microwave Fixed Attenuator

Power/Temp Rating Curve



Outline Drawing [mm]



L=31.4mm (≤20dB)
 L=33.0mm (=30dB)
 L=47.6mm (=40dB)