

TMDC-00300240-40N150 0.3-2.4 GHz, 40dB, 150W, N-Female

FEATURES

- ❖ Wide Band Operation 0.3-2.4 GHz
- ❖ Power Handle Capability up to 150W
- ❖ 40 dB Typical Coupling
- ❖ Low Insertion Loss

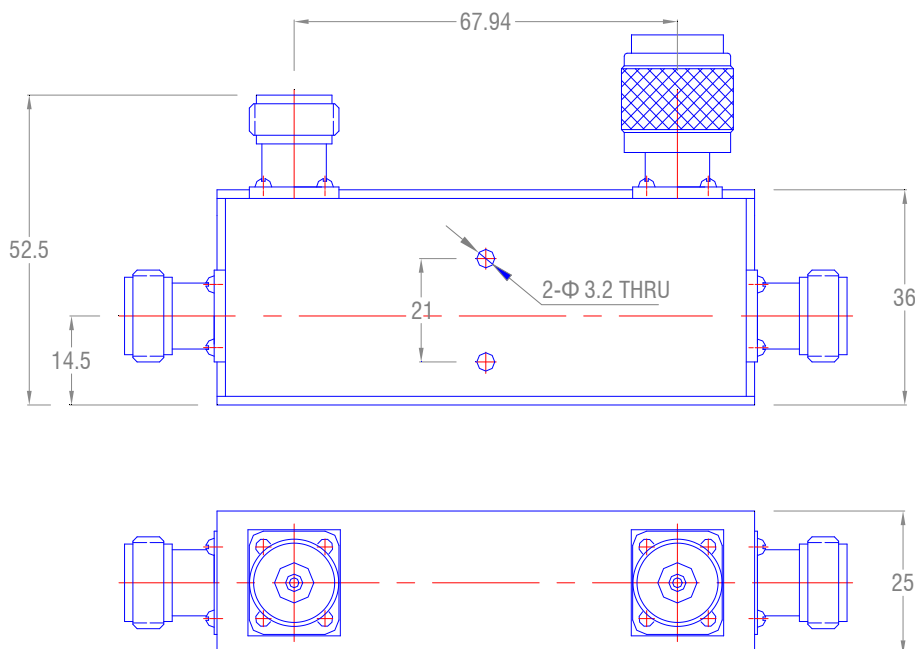
APPLICATIONS

- ❖ Frequency Measurements
- ❖ Signal Levelling, Signal Sampling
- ❖ Signal Injection
- ❖ Reflection Coefficient Measurements
- ❖ Measure incident and reflected power to determine VSWR

SPECIFICATIONS

Parameters	Min.	Typ.	Max.	Units
Frequency Range	0.3	-	2.4	GHz
Impedance	-	50	-	Ohms
Nominal Coupling	38.2	40	41.8	dB
Directivity	15	-	-	dB
Insertion Loss	-	-	0.5	dB
VSWR Primary	-	-	1.3	:1
Average Power	-	-	150	W
Operating Temperature	-20	-	+60	°C
Storage Temperature	-40	-	+70	°C
Input/Output Connectors	N-Female			
Connector Body	Nickel Plated Brass			
Weight	200g max			
Dimensions	129×50×26mm			

Outline Drawing [mm]



Tolerances ±0.5