

**TMDC-00600270-30N400 0.6-2.7 GHz, 30dB, 400W, N-Female**

**FEATURES**

- ❖ Wide Band Operation 0.6-2.7 GHz
- ❖ Power Handle Capability up to 400W
- ❖ 30 dB Typical Coupling
- ❖ Low Insertion Loss

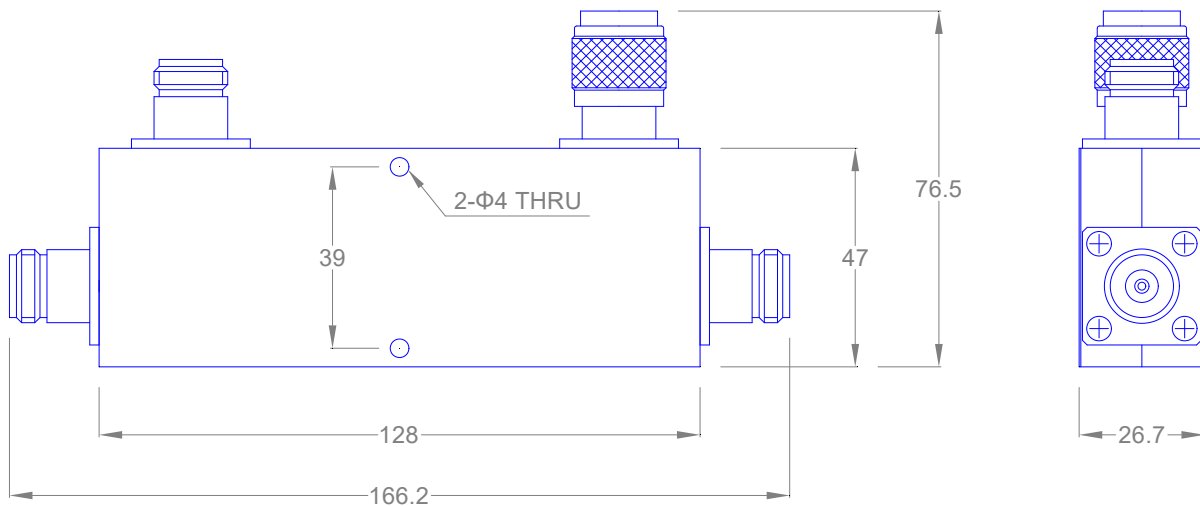
**APPLICATIONS**

- ❖ Frequency Measurements
- ❖ Signal Levelling, Signal Sampling
- ❖ Signal Injection
- ❖ Reflection Coefficient Measurements
- ❖ Measure incident and reflected power to determine VSWR

**SPECIFICATIONS**

Parameters	Min.	Typ.	Max.	Units
Frequency Range	0.6	-	2.7	GHz
Impedance	-	50	-	Ohms
Nominal Coupling	28.5	30	31.5	dB
Directivity	20	-	-	dB
Insertion Loss	-	-	0.3	dB
VSWR Primary	-	-	1.2	:1
Average Power	-	-	400	W
Operating Temperature	-40	-	+85	°C
Storage Temperature	-50	-	+100	°C
Input/Output Connectors	N-Female			
Connector Body	Nickel Plated Brass			
Weight	550g max			
Dimenions	128×47×26.7mm			
Material	Aluminum			

**Outline Drawing [mm]**



Tolerances ±0.5