

**TMDC-00800220-10N200 0.8-2.2 GHz, 10dB, 200W, N-Female**

**FEATURES**

- ❖ Wide Band Operation 0.8-2.2 GHz
- ❖ Power Handle Capability up to 200W
- ❖ 10 dB Typical Coupling
- ❖ Low Insertion Loss

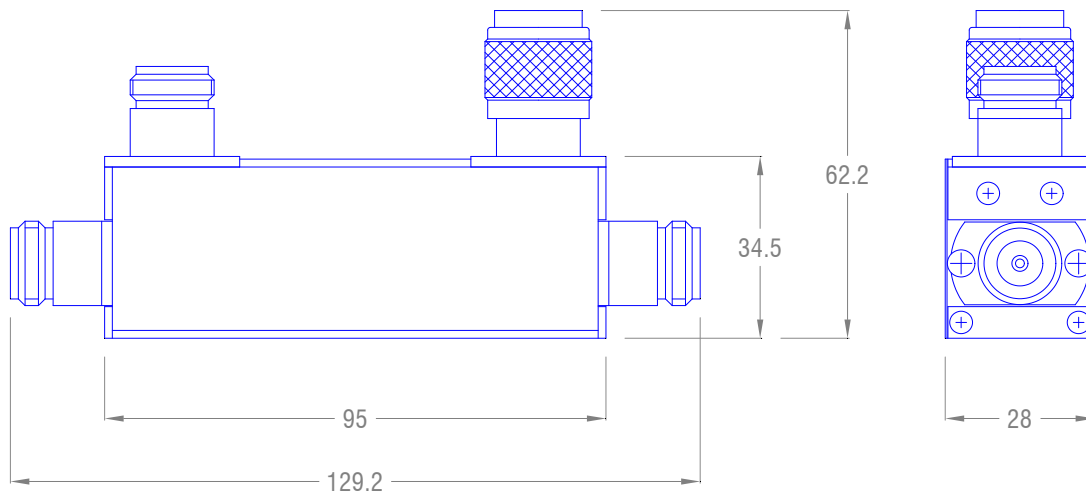
**APPLICATIONS**

- ❖ Frequency Measurements
- ❖ Signal Levelling, Signal Sampling
- ❖ Signal Injection
- ❖ Reflection Coefficient Measurements
- ❖ Measure incident and reflected power to determine VSWR

**SPECIFICATIONS**

Parameters	Min.	Typ.	Max.	Units
Frequency Range	0.8	-	2.2	GHz
Impedance	-	50	-	Ohms
Nominal Coupling	9	10	11	dB
Directivity	20	-	-	dB
Insertion Loss	-	-	0.8	dB
VSWR Primary	-	-	1.15	:1
Average Power	-	-	200	W
Operating Temperature	-40	-	+85	°C
Storage Temperature	-50	-	+100	°C
Input/Output Connectors	N-Female			
Connector Body	Nickel Plated Brass			
Weight	380g max			
Dimenions	95×34.5×28mm			
Material	Aluminum			

**Outline Drawing**[mm]



Tolerances ±0.5