

**TMDC-01000200-20N500 1-2 GHz, 20dB, 500W, N-Female**

**FEATURES**

- ❖ Wide Band Operation 1-2 GHz
- ❖ Power Handle Capability up to 500W
- ❖ 20 dB Typical Coupling
- ❖ Low Insertion Loss

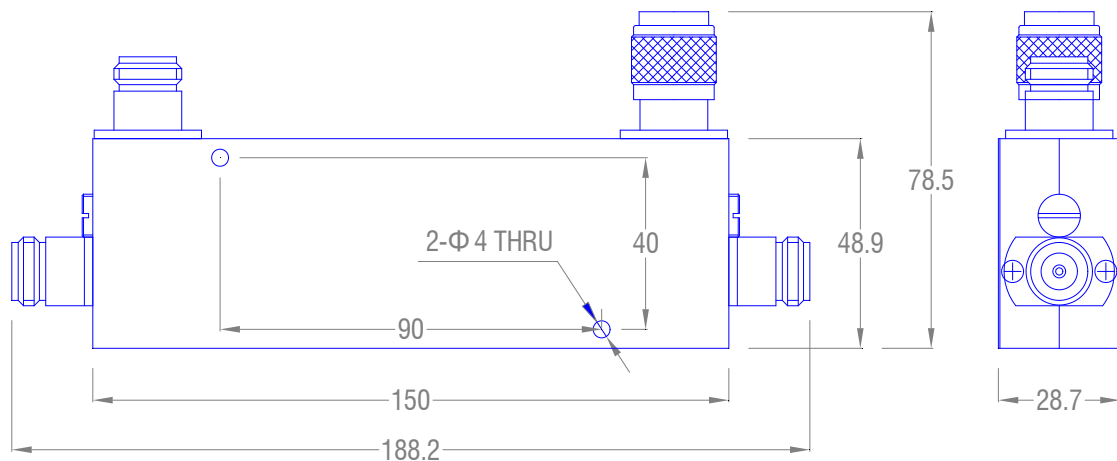
**APPLICATIONS**

- ❖ Frequency Measurements
- ❖ Signal Levelling, Signal Sampling
- ❖ Signal Injection
- ❖ Reflection Coefficient Measurements
- ❖ Measure incident and reflected power to determine VSWR

**SPECIFICATIONS**

Parameters	Min.	Typ.	Max.	Units
Frequency Range	1	-	2	GHz
Impedance	-	50	-	Ohms
Nominal Coupling	19.2	20	20.8	dB
Directivity	22	-	-	dB
Insertion Loss	-	-	0.3	dB
VSWR Primary	-	-	1.2	:1
Average Power	-	-	500	W
Operating Temperature	-40	-	+85	°C
Storage Temperature	-50	-	+100	°C
Input/Output Connectors	N-Female			
Connector Body	Nickel Plated Brass			
Weight	700g max			
Dimenions	150×48.9×28.7mm			
Material	Aluminum			

**Outline Drawing [mm]**



Tolerances ±0.5