

### TMDC-01460166-50LN4000 1.46-1.66 GHz, 50dB, 4000W, L29-Female & N-Female

#### FEATURES

- ❖ Frequency Band Operation 1.46-1.66 GHz
- ❖ Power Handle Capability up to 4000W
- ❖ 50 dB Typical Coupling
- ❖ Low Insertion Loss

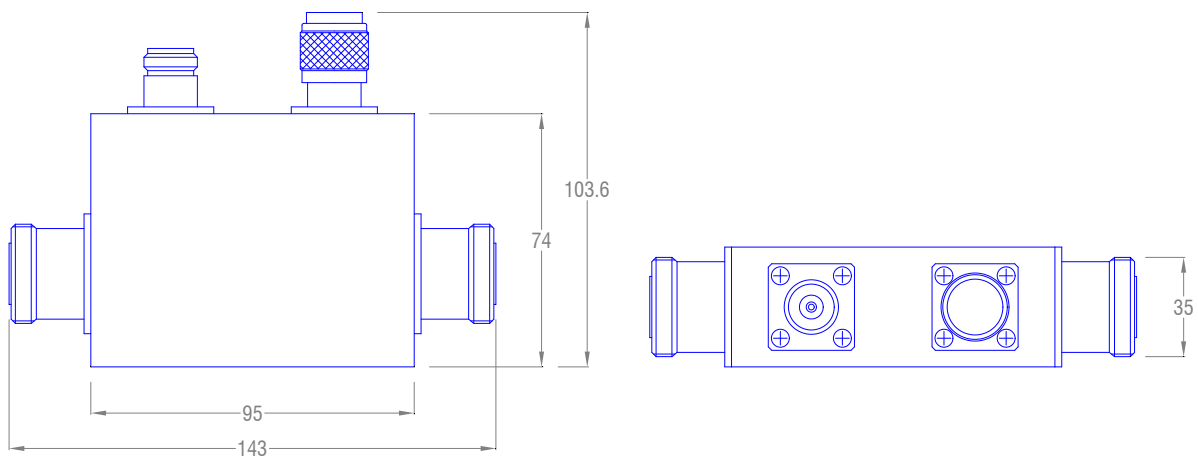
#### APPLICATIONS

- ❖ Frequency Measurements
- ❖ Signal Levelling, Signal Sampling
- ❖ Signal Injection
- ❖ Reflection Coefficient Measurements
- ❖ Measure incident and reflected power to determine VSWR

#### SPECIFICATIONS

Parameters	Min.	Typ.	Max.	Units
Frequency Range	1.46	-	1.66	GHz
Impedance	-	50	-	Ohms
Nominal Coupling	49.5	50	50.5	dB
Directivity	18	-	-	dB
Insertion Loss	-	-	0.4	dB
VSWR Primary	-	-	1.15	:1
Average Power	-	-	4000	W
Operating Temperature	-40	-	+85	°C
Storage Temperature	-50	-	+100	°C
Input/Output Connectors	N-Female			
Coupling Port	L29-Female			
Connector Body	Nickel Plated Brass			
Weight	800g max			
Dimensions	95×74×35mm			
Material	Aluminum			

#### Outline Drawing [mm]



Tolerances ±0.5