

TMLA-57006700-3010-50 57-67 GHz, 30dB, P1dB 10dBm, N.F. 5.0dB

FEATURES

- ❖ Wide Band Operation 57-67 GHz
- ❖ Gain 30dB Minimum
- ❖ P1dB Output Power +10dBm Minimum
- ❖ Supply Voltage +12Vdc

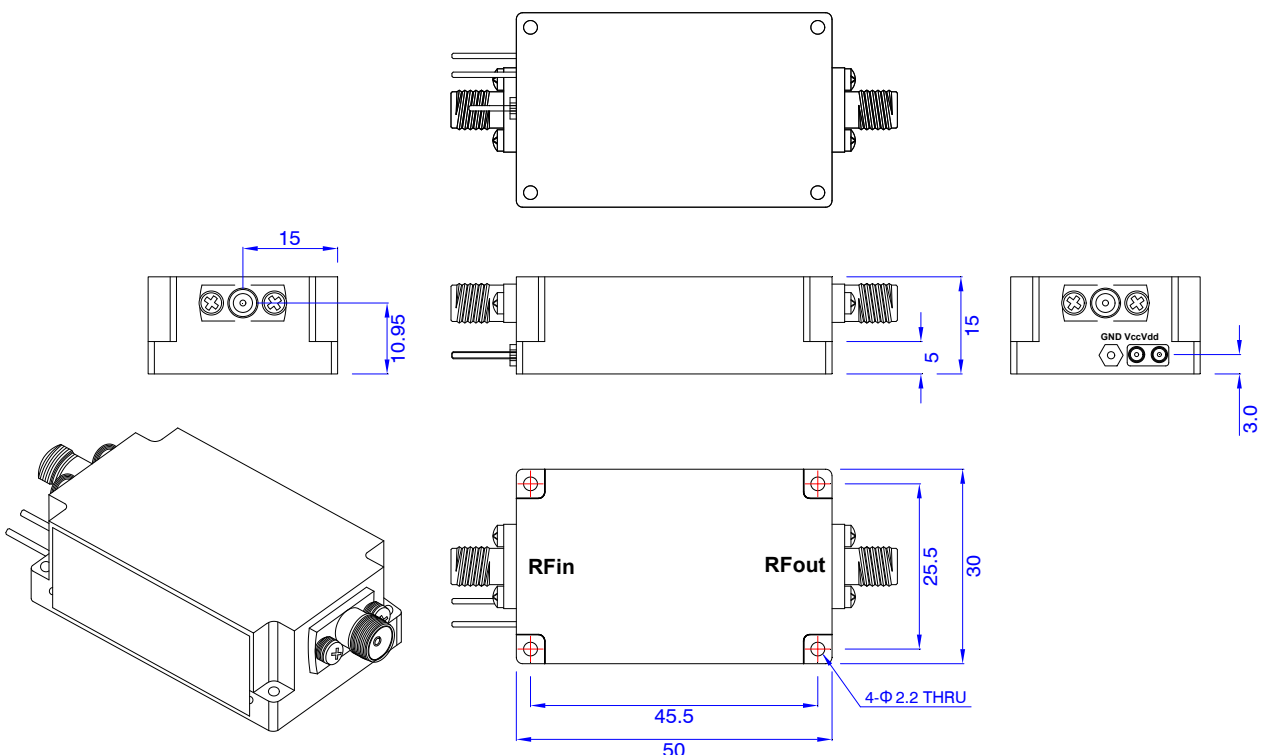
APPLICATIONS

- ❖ Wireless Infrastructure
- ❖ Test and Measurement Instrument
- ❖ Radar and EW Systems
- ❖ Satellite Receiver

SPECIFICATIONS

Parameters	Min.	Typ.	Max.	Units
Frequency Range	57	-	67	GHz
Impedance	-	50	-	Ohms
Gain	30	-	-	dB
Gain Flatness	-	±1.5	-	dB
Noise Figure	-	4.0	5.0	dB
Spurious	-	-	-60	dBc
VSWR	-	2.0	-	:1
Output 1dB Compression Point(P1dB)	+10	-	-	dBm
Supply Voltage	-	+12	-	V
Supply Current	-	300	-	mA
Operating Temperature	-20	-	+50	°C
Storage Temperature	-40	-	+85	°C
Humidity	-	95	-	%
Input/Output Connectors	1.85mm-Female			
Weight	200g max			
Material	Aluminum			

Outline Drawing [mm]



Tolerances ±0.1[0.004]