

**TMLA-20004000-4013-50 20-40 GHz, 40dB, P1dB 13dBm, N.F. 5.0dB**

**FEATURES**

- ❖ Wide Band Operation 20-40 GHz
- ❖ Gain 40dB Minimum
- ❖ P1dB Output Power +13dBm Minimum
- ❖ Supply Voltage +12Vdc

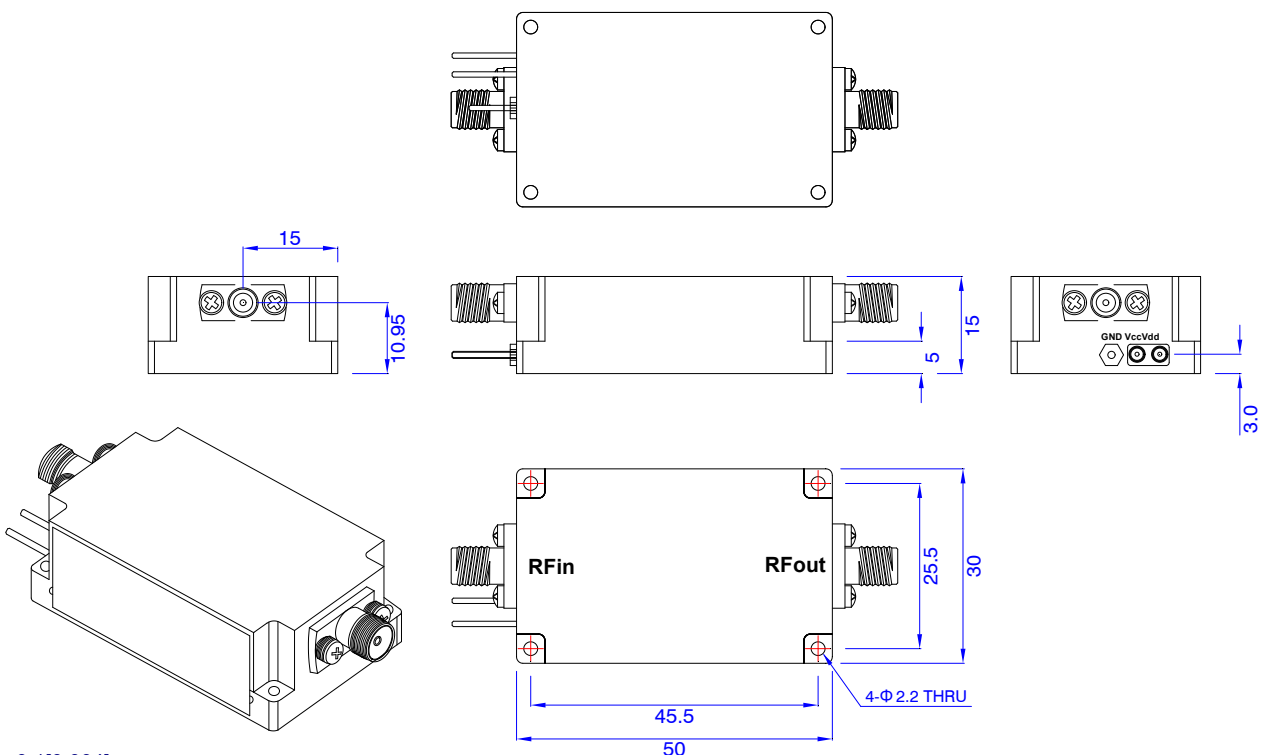
**APPLICATIONS**

- ❖ Wireless Infrastructure
- ❖ Test and Measurement Instrument
- ❖ Radar and EW Systems
- ❖ Satellite Receiver

**SPECIFICATIONS**

Parameters	Min.	Typ.	Max.	Units
Frequency Range	20	-	40	GHz
Impedance	-	50	-	Ohms
Gain	40	-	-	dB
Gain Flatness	-	-	±2.0	dB
Noise Figure	-	5.0	-	dB
Spurious	-	-	-60	dBc
VSWR	-	2.0	-	:1
Output 1dB Compression Point(P1dB)	13	-	-	dBm
Supply Voltage	-	+12	-	V
Supply Current	-	200	-	mA
Operating Temperature	-20	-	+60	°C
Storage Temperature	-45	-	+85	°C
Humidity	-	95	-	%
Input/Output Connectors	2.92mm-Female			
Weight	200g max			
Material	Aluminum			

**Outline Drawing [mm]**



Tolerances ±0.1[0.004]