

**TMLA-18004000-2306-35 18-40 GHz, Gain 23dB, P1dB 6dBm, N.F. 3.5dB**

**FEATURES**

- ❖ Wide Band Operation 18-40 GHz
- ❖ Gain 23dB Minimum
- ❖ P1dB Output Power +6dBm Minimum
- ❖ Supply Voltage +12Vdc

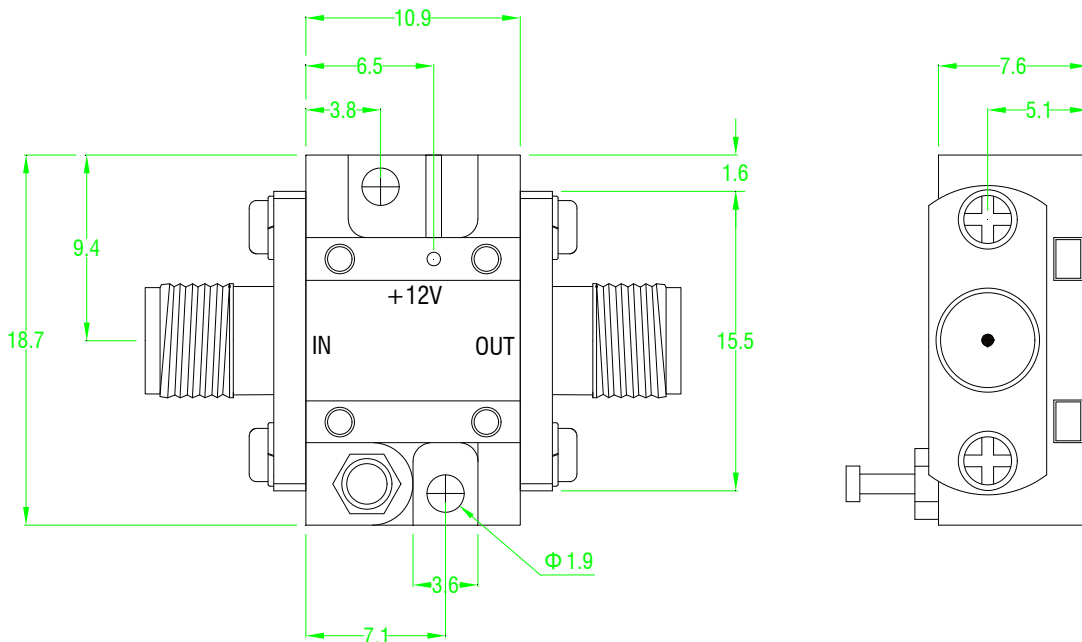
**APPLICATIONS**

- ❖ Wireless Infrastructure
- ❖ Test and Measurement Instrument
- ❖ Radar and EW Systems
- ❖ Satellite Receiver

**SPECIFICATIONS**

Parameters	Min.	Typ.	Max.	Units
Frequency Range	18	-	40	GHz
Impedance	-	50	-	Ohms
Gain	23	-	-	dB
Gain Flatness	-	±1.5	±2.0	dB
Noise Figure	-	3.2	3.5	dB
Spurious	-	-	-60	dBc
VSWR	-	2.0	2.5	:1
Output 1dB Compression Point(P1dB)	6	8	-	dBm
Supply Voltage	-	+12	-	V
Supply Current	-	120	-	mA
Operating Temperature	-40	-	+85	°C
Storage Temperature	-55	-	+105	°C
Humidity	-	95	-	%
Input/Output Connectors	2.92mm-Female			
Weight	50g max			
Material	Aluminum			

**Outline Drawing [mm]**



Tolerances ±0.1[0.004]