

TMDC-26505000-30420 26.5-50 GHz, 30dB, 20W, 2.4mm Female

FEATURES

- ❖ Wide Band Operation 26.5-50 GHz
- ❖ Power Handle Capability up to 20W
- ❖ 30 dB Typical Coupling
- ❖ Low Insertion Loss

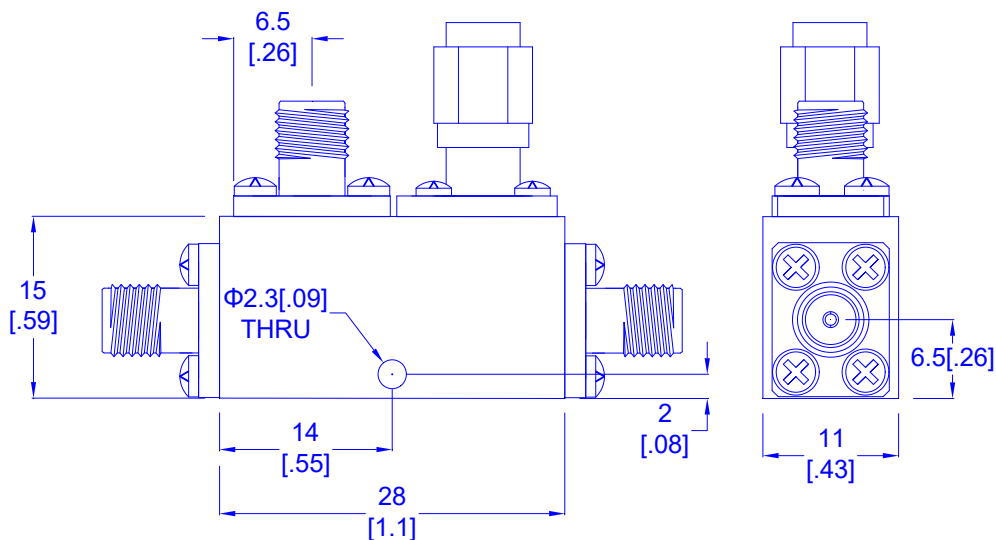
APPLICATIONS

- ❖ Frequency Measurements
- ❖ Signal Levelling, Signal Sampling
- ❖ Signal Injection
- ❖ Reflection Coefficient Measurements
- ❖ Measure incident and reflected power to determine VSWR

SPECIFICATIONS

Parameters	Min.	Typ.	Max.	Units
Frequency Range	26.5	-	50	GHz
Impedance	-	50	-	Ohms
Nominal Coupling	28.8	30	31.2	dB
Frequency Sensitivity	-	-	±1.2	dB
Directivity	8	-	-	dB
Insertion Loss(Excluding coupling loss 0.46dB)	-	-	1.2	dB
VSWR	-	-	1.7	:1
Power Handling	Incident	-	20	W
	Reflected	-	1	W
Operating Temperature	-40	-	+85	°C
Input/Output Connectors	2.4mm-Female			
Surface Finishing	Black/Blue Paint			
Material	Aluminum			

Outline Drawing [mm[inch]]



Tolerances ±0.5[0.02]