

TMDC-04001800-40NS300 4-18 GHz, 40dB, 300W, N(m-f) & SMA(f)

FEATURES

- ❖ Wide Band Operation 4-18 GHz
- ❖ Power Handle Capability up to 300W
- ❖ 40 dB Typical Coupling
- ❖ Low Insertion Loss

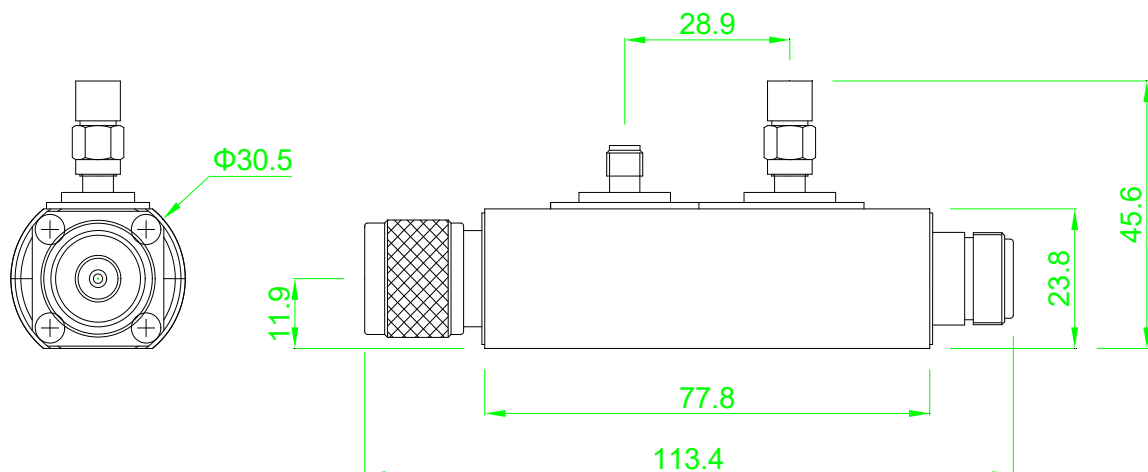
APPLICATIONS

- ❖ Frequency Measurements
- ❖ Signal Levelling, Signal Sampling
- ❖ Signal Injection
- ❖ Reflection Coefficient Measurements
- ❖ Measure incident and reflected power to determine VSWR

SPECIFICATIONS

Parameters	Min.	Typ.	Max.	Units
Frequency Range	4	-	18	GHz
Impedance	-	50	-	Ohms
Nominal Coupling	38.5	40	41.5	dB
Frequency Sensitivity	-	-	±1.5	dB
Directivity(4-16GHz)	10	-	-	dB
Directivity(16-18GHz)	6	-	-	dB
Insertion Loss	-	-	0.9	dB
VSWR Primary	-	-	1.4	:1
Average Power	-	-	300	W
Operating Temperature	-40	-	+85	°C
Storage Temperature	-50	-	+100	°C
Input/Output Connectors	N-Male/N-Female			
Coupling/Load Connectors	SMA-Female			
Connector Body	Nickel Plated Brass			
Weight	250g			
Size	113.4×Φ30.5×45.6mm			
Material	Aluminum			

Outline Drawing [mm]



Tolerances ±2%