

TMDC-04001800-40N300 4-18 GHz, Coup 40dB, 300W, N-Female

FEATURES

- ❖ Wide Band Operation 4-18 GHz
- ❖ Power Handle Capability up to 300W
- ❖ 40 dB Typical Coupling
- ❖ Low Insertion Loss

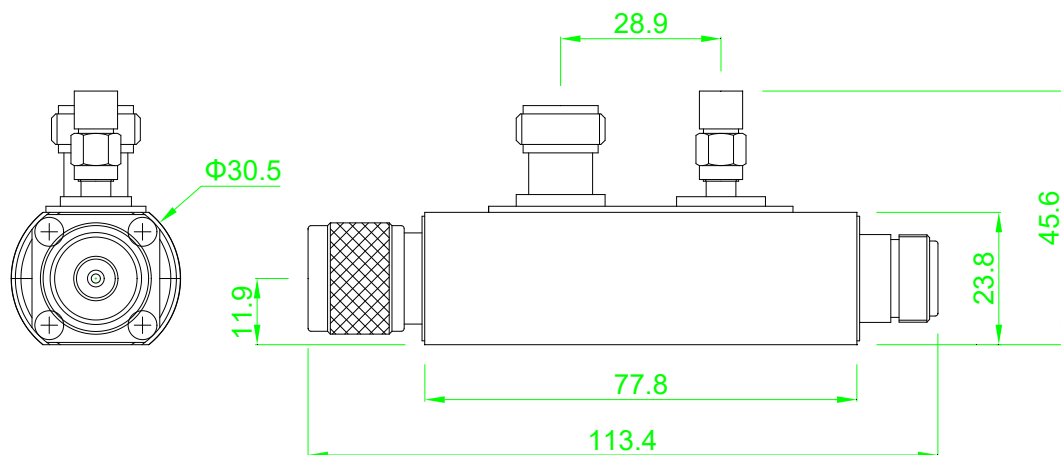
APPLICATIONS

- ❖ Frequency Measurements
- ❖ Signal Levelling, Signal Sampling
- ❖ Signal Injection
- ❖ Reflection Coefficient Measurements
- ❖ Measure incident and reflected power to determine VSWR

SPECIFICATIONS

| Parameters | Min. | Typ. | Max. | Units |
|-------------------------|---------------------|------|------|-------|
| Frequency Range | 4 | - | 18 | GHz |
| Impedance | - | 50 | - | Ohms |
| Nominal Coupling | 38.5 | 40 | 41.5 | dB |
| Frequency Sensitivity | - | - | ±1.5 | dB |
| Directivity(4-16GHz) | 10 | - | - | dB |
| Directivity(16-18GHz) | 6 | - | - | dB |
| Insertion Loss | - | - | 0.9 | dB |
| VSWR Primary | - | - | 1.4 | :1 |
| Average Power | - | - | 300 | W |
| Operating Temperature | -40 | - | +85 | °C |
| Storage Temperature | -50 | - | +100 | °C |
| Input/Output Connectors | N-Male/N-Female | | | |
| Coupling Connector | N-Female | | | |
| Connector Body | Nickel Plated Brass | | | |
| Weight | 250g | | | |
| Size | 113.4×Φ30.5×45.6mm | | | |
| Material | Aluminum | | | |

Outline Drawing [mm]



Tolerances ±2%