

TMLA-10002600-3519-25 10-26 GHz, 35dB, P1dB 19dBm, N.F. 2.5dB

FEATURES

- ❖ Wide Band Operation 10-26 GHz
- ❖ Small Signal Gain 35dB Minimum
- ❖ P1dB Output Power +19dBm Minimum
- ❖ Supply Voltage +12Vdc

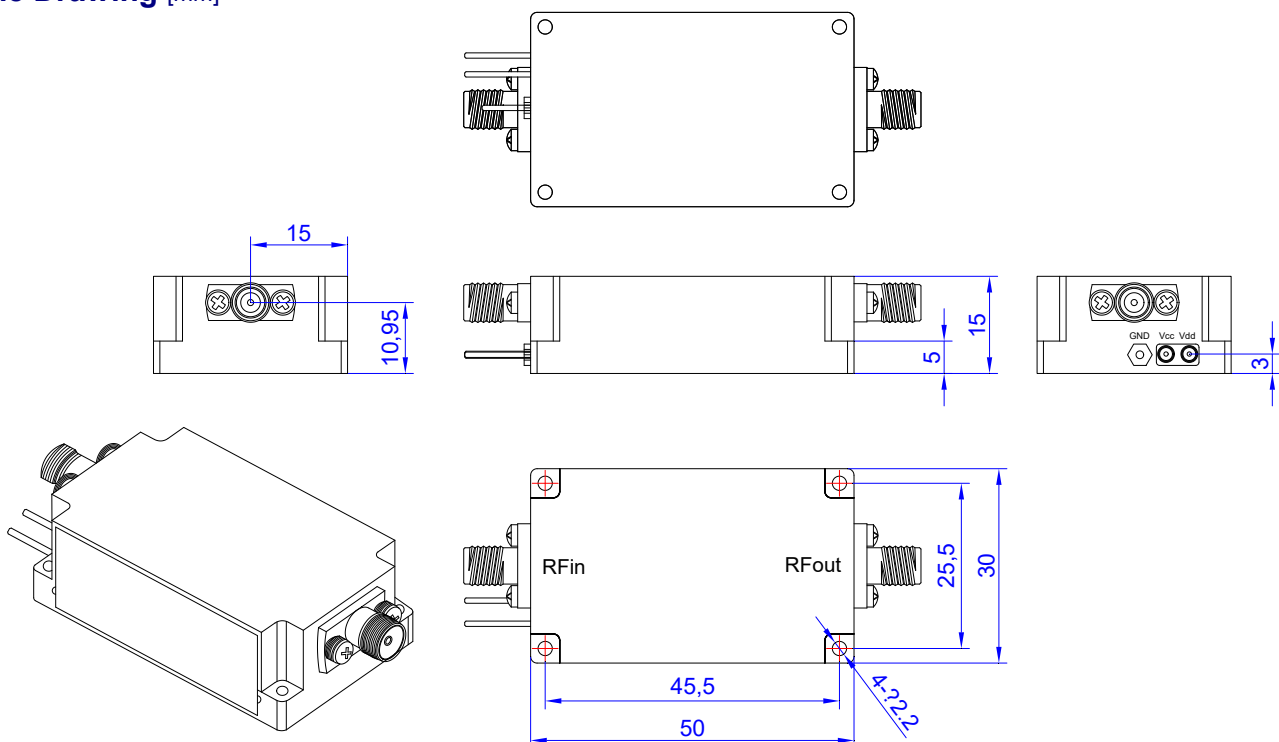
APPLICATIONS

- ❖ Wireless Infrastructure
- ❖ Test and Measurement Instrument
- ❖ Radar and EW Systems
- ❖ Satellite Receiver

SPECIFICATIONS

Parameters	Min.	Typ.	Max.	Units
Frequency Range	10	-	26	GHz
Impedance	-	50	-	Ohms
Gain	35	-	-	dB
Gain Flatness	-	±2.0	-	dB
Noise Figure	-	-	2.5	dB
Spurious	-	-	-60	dBc
VSWR	-	-	2.0	:1
Output 1dB Compression Point(P1dB)	19	-	-	dBm
Supply Voltage	-	+12	-	V
RF Input Power	-	-	+10	dBm
Operating Temperature	-20	-	+50	°C
Storage Temperature	-40	-	+85	°C
Humidity	-	95	-	%
Input/Output Connectors	2.92mm-Female			
Weight	50g			
Material	Aluminum			

Outline Drawing [mm]



Tolerances ±0.1[0.004]