

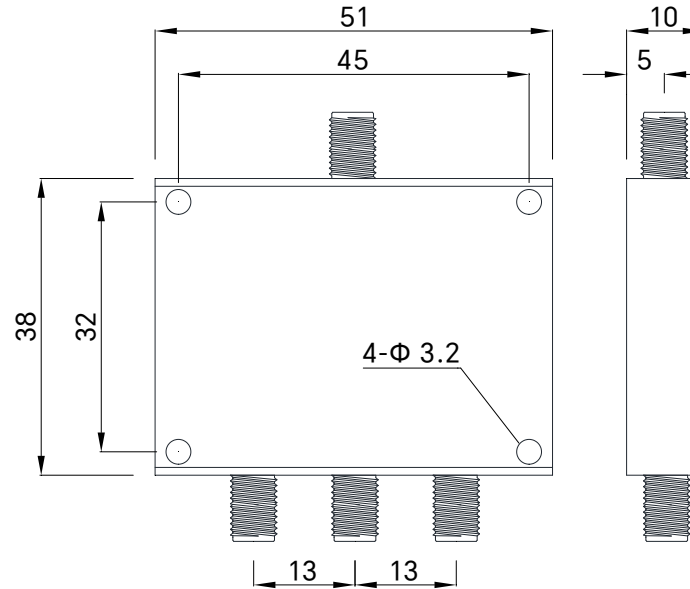
PART NUMBER  
**TMPD3-06001800-30S**

REV.	DATE	COMMENTS	INITIAL
1	2021/8/18	ENGINEERING RELEASE	

**Electrical Data**

RoHS Compliant

Frequency Range      6~18 GHz  
 Insertion Loss        ≤ 1.5 dB  
 (excluding theoretical loss 4.8dB)  
 VSWR(input)         ≤ 1.80  
 VSWR(output)        ≤ 1.60  
 Isolation             ≥ 16 dB  
 Amplitude Balance   ± 0.5 dB  
 Phase Balance        ± 6°  
 Impedance            50 Ohm  
 Power Rating         30W as a divider  
 Power Rating         1W as a combiner



**Mechanical Data**

Connector             SMA-Female  
 Dimensions           51 × 38 × 10mm  
 Material              Aluminum  
 Temperature Range   -40~+80°C

Drawing not to scale, units:mm



www.titan-microwave.com  
 Tel: +86 130 866 58398  
 Email: sales@titan-microwave.com  
 chris@titan-microwave.com

PART NUMBER <b>TMPD3-06001800-30S</b>		DESCRIPTION <b>Power Divider, 3 Way, 6~18GHz, 30W SMA-Female</b>
CAGE CODE	SIGNATURE	
EXCEPT AS OTHERWISE PROVIDED BY CONTRACTOR THIS DRAWING OR SPECIFICATION IS PROPERTY OF TITAN MICROWAVE INC. IT IS ISSUED IN STRICT CONFIDENCE AND SHALL NOT BE REPRODUCED OR USED AS THE BASIS.		