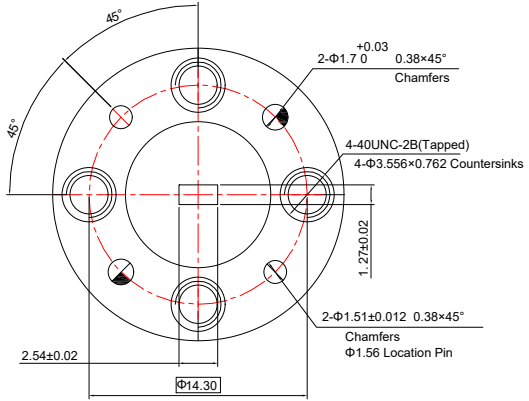
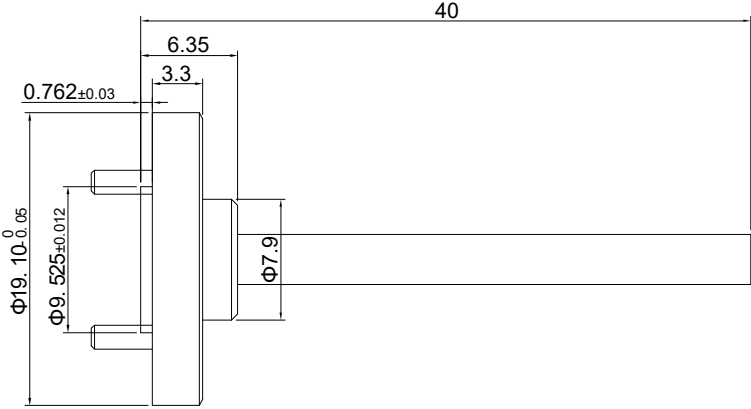


PART NUMBER TWTP10P0.5WEU	REV.	DATE	COMMENTS	INITIAL
	1	2023/8/19	ENGINEERING RELEASE	

RoHS Compliant

Frequency Range 73.8~112 GHz
 VSWR ≤ 1.02
 Waveguide Type (BJ900)WR-10
 Flange Type FUGP900
 Average Power 0.5W
 Material Copper
 Finish Gold Plated
 Weight 70g max



Drawing not to scale, units:mm



www.titan-microwave.com
 Tel: +86 130 866 58398
 Email: sales@titan-microwave.com
 chris@titan-microwave.com

PART NUMBER TWTP10P0.5WEU		DESCRIPTION Waveguide Precision Termination, WR-10, 73.8~112GHz, Power 0.5W
CAGE CODE	SIGNATURE	
EXCEPT AS OTHERWISE PROVIDED BY CONTRACTOR THIS DRAWING OR SPECIFICATION IS PROPERTY OF TITAN MICROWAVE INC. IT IS ISSUED IN STRICT CONFIDENCE AND SHALL NOT BE REPRODUCED OR USED AS THE BASIS.		