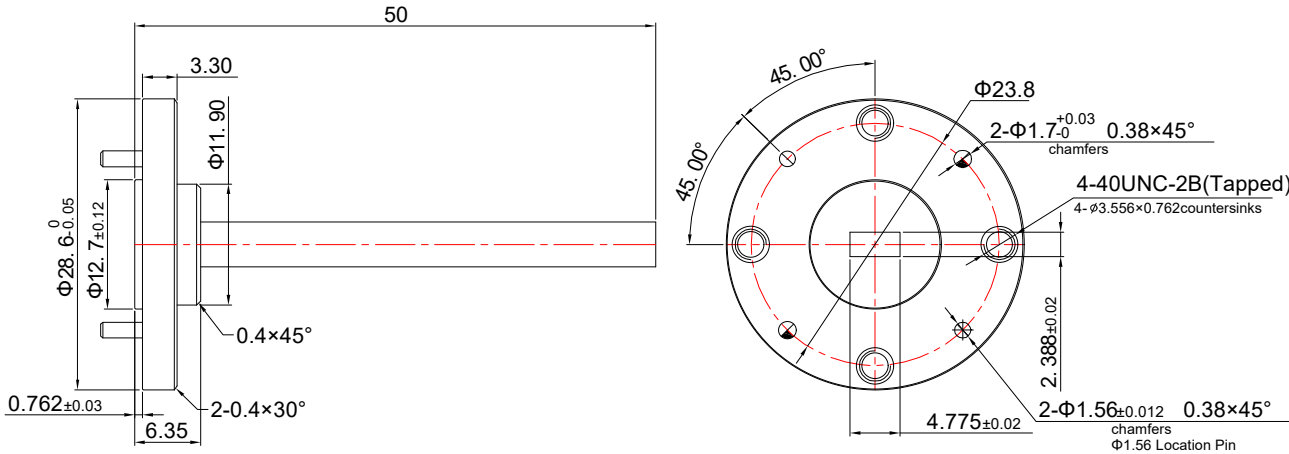


PART NUMBER <b>TWTP19P2WEU</b>	REV.	DATE	COMMENTS	INITIAL
	1	2023/8/19	ENGINEERING RELEASE	

RoHS Compliant

Frequency Range      39.2~59.6 GHz  
 VSWR                    ≤ 1.02  
 Waveguide Type        (BJ500)WR-19  
 Flange Type            FUGP500  
 Average Power         ≥ 2W  
 Material                Copper  
 Finish                  Gold Plated  
 Weight                 100g max



Drawing not to scale, units:mm



www.titan-microwave.com  
 Tel: +86 130 866 58398  
 Email: sales@titan-microwave.com  
 chris@titan-microwave.com

PART NUMBER <b>TWTP19P2WEU</b>		DESCRIPTION <b>Waveguide Precision Termination, WR-19, 39.2~59.6GHz, Power 2W min</b>
CAGE CODE	SIGNATURE	
EXCEPT AS OTHERWISE PROVIDED BY CONTRACTOR THIS DRAWING OR SPECIFICATION IS PROPERTY OF TITAN MICROWAVE INC. IT IS ISSUED IN STRICT CONFIDENCE AND SHALL NOT BE REPRODUCED OR USED AS THE BASIS.		