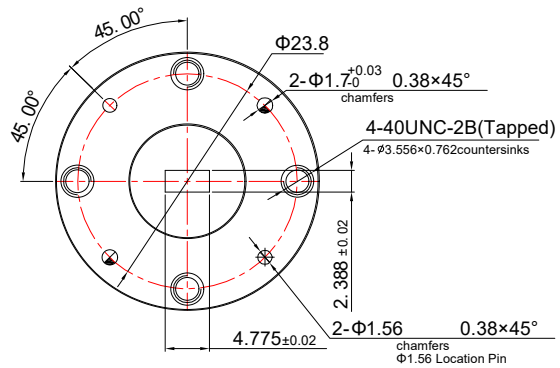
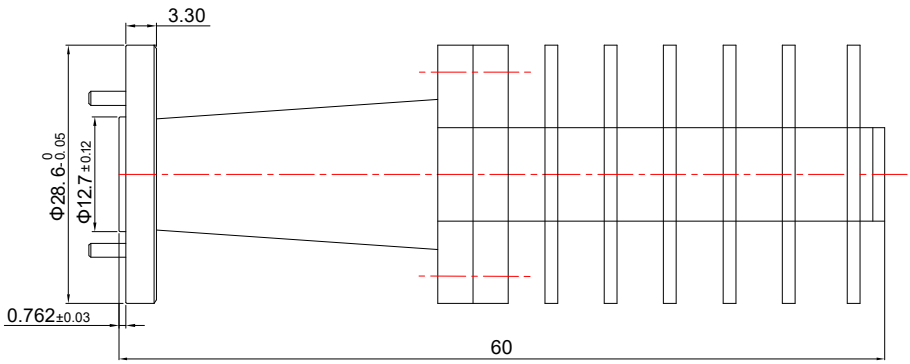


PART NUMBER  
**TWTP19P5WHD**

REV.	DATE	COMMENTS	INITIAL
1	2023/8/19	ENGINEERING RELEASE	

RoHS Compliant

Frequency Range 40~60 GHz  
 VSWR ≤ 1.25  
 Waveguide Type (BJ500)WR-19  
 Flange Type FUGP500  
 Average Power 5W  
 Material Copper  
 Finish Gray Painted  
 Weight 150g max



Drawing not to scale, units:mm



www.titan-microwave.com  
 Tel: +86 130 866 58398  
 Email: sales@titan-microwave.com  
 chris@titan-microwave.com

PART NUMBER		DESCRIPTION
<b>TWTP19P5WHD</b>		<b>Waveguide Precision Termination, WR-19, 40~60GHz, Power 5W</b>
CAGE CODE	SIGNATURE	
	_____	
EXCEPT AS OTHERWISE PROVIDED BY CONTRACTOR THIS DRAWING OR SPECIFICATION IS PROPERTY OF TITAN MICROWAVE INC. IT IS ISSUED IN STRICT CONFIDENCE AND SHALL NOT BE REPRODUCED OR USED AS THE BASIS.		