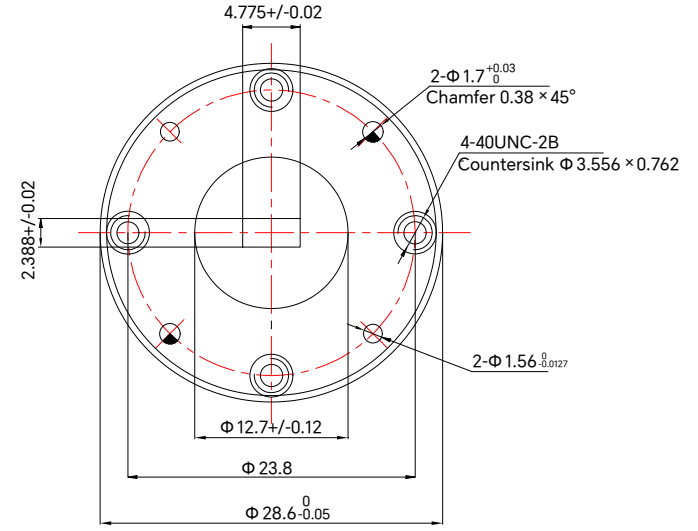
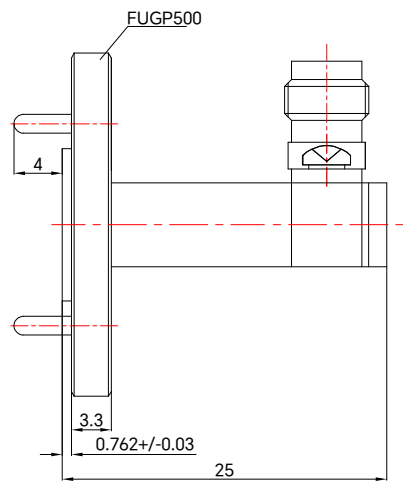


PART NUMBER  
**R-WR19-VF**

REV.	DATE	COMMENTS	INITIAL
1	2023/8/19	ENGINEERING RELEASE	

Frequency Range 39.2~59.6 GHz  
 Insertion Loss  $\leq 0.8$  dB  
 VSWR  $\leq 1.80$   
 Waveguide Type (BJ500)WR-19  
 Flange Type FUGP500  
 Connector Type 1.85mm-Female  
 Average Power 10W  
 Material Copper  
 Finish Gold Plated  
 Weight  $\leq 30$ g  
 Dimensions  $\Phi 28.6 \times 25$ mm  
 Operational Temperature  $-40^{\circ}\text{C} \sim +70^{\circ}\text{C}$   
 Storage Temperature  $-55^{\circ}\text{C} \sim +85^{\circ}\text{C}$   
 Relative Humidity  $\leq 80\%$

RoHS Compliant



Drawing not to scale, units:mm



www.titan-microwave.com  
 Tel: +86 130 866 58398  
 Email: sales@titan-microwave.com  
 chris@titan-microwave.com

PART NUMBER <b>R-WR19-VF</b>		DESCRIPTION <b>Waveguide to Coax Adapter, WR-19, 1.85mm-Female, 39.2~59.6GHz, Right Angle</b>
CAGE CODE	SIGNATURE	
EXCEPT AS OTHERWISE PROVIDED BY CONTRACTOR THIS DRAWING OR SPECIFICATION IS PROPERTY OF TITAN MICROWAVE INC. IT IS ISSUED IN STRICT CONFIDENCE AND SHALL NOT BE REPRODUCED OR USED AS THE BASIS.		