

PART NUMBER TMCALKFKF	REV.	DATE	COMMENTS	INITIAL
	1	2022/8/19	ENGINEERING RELEASE	

Electrical Data

Frequency Range DC~40.0 GHz
 Insertion Loss $0.05 \times \text{SQRT}[F(\text{GHz})]$ dB max
 VSWR 1.30 max
 Voltage Rating 500 VRMS
 Dielectric Withstanding Voltage 2000 VRMS min
 Insulation Resistance 5000 MΩ min
 Impedance 50 Ohm

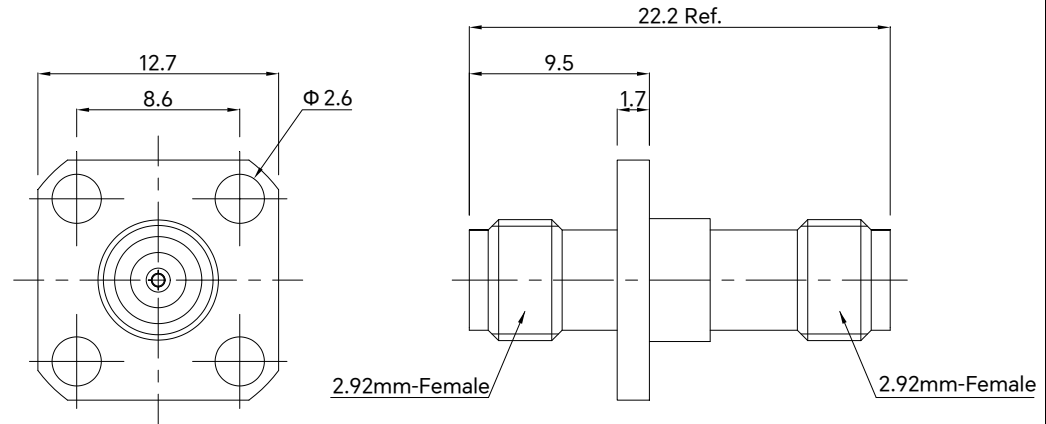
RoHS Compliant

Material and Finish

Body Stainless Steel, Passivation
 Outer Contact Stainless Steel, Passivation
 Inner Contact Beryllium Copper, Gold Plating
 Insulator PEI
 Weight 5g max

Mechanical Data:

Durability 500 Cycles min
 Temperature Range -40°C~+125°C



Drawing not to scale, units:mm



www.titan-microwave.com
 Tel: +86 130 866 58398
 Email: sales@titan-microwave.com
 chris@titan-microwave.com

PART NUMBER TMCALKFKF		DESCRIPTION 2.92mm-Female to 2.92mm-Female Flange Mount Adapter, DC-40GHz
CAGE CODE	SIGNATURE _____	
EXCEPT AS OTHERWISE PROVIDED BY CONTRACTOR THIS DRAWING OR SPECIFICATION IS PROPERTY OF TITAN MICROWAVE INC. IT IS ISSUED IN STRICT CONFIDENCE AND SHALL NOT BE REPRODUCED OR USED AS THE BASIS.		