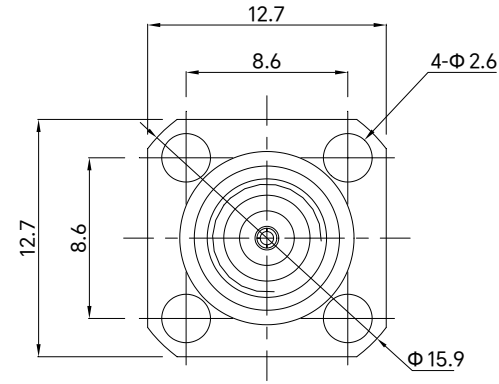


PART NUMBER TMCALZFZF	REV.	DATE	COMMENTS	INITIAL
	1	2023/8/19	ENGINEERING RELEASE	

Electrical Data

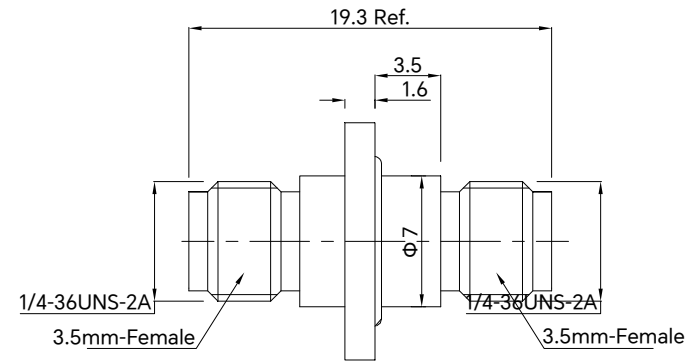
Frequency Range	DC~26.5 GHz
Insertion Loss	0.1 × SQRT[F(GHz)]dB max
VSWR	1.20 max
Voltage Rating	500 VRMS
Dielectric Withstanding Voltage	2000 VRMS min
Insulation Resistance	5000 MΩ min
Impedance	50 Ohm

RoHS Compliant



Material and Finish

Body	Stainless Steel, Passivated
Outer Contact	Stainless Steel, Passivated
Inner Contact	Beryllium Copper, Gold Plating
Insulator	PEI
Weight	5g max



Mechanical Data:

Durability	500 Cycles min
Temperature Range	-40°C~+125°C

Drawing not to scale, units:mm



www.titan-microwave.com
 Tel: +86 130 866 58398
 Email: sales@titan-microwave.com
 chris@titan-microwave.com

PART NUMBER TMCALZFZF		DESCRIPTION 3.5mm-Female to 3.5mm-Female Flange Mount Adapter, DC-26.5GHz
CAGE CODE	SIGNATURE	
EXCEPT AS OTHERWISE PROVIDED BY CONTRACTOR THIS DRAWING OR SPECIFICATION IS PROPERTY OF TITAN MICROWAVE INC. IT IS ISSUED IN STRICT CONFIDENCE AND SHALL NOT BE REPRODUCED OR USED AS THE BASIS.		