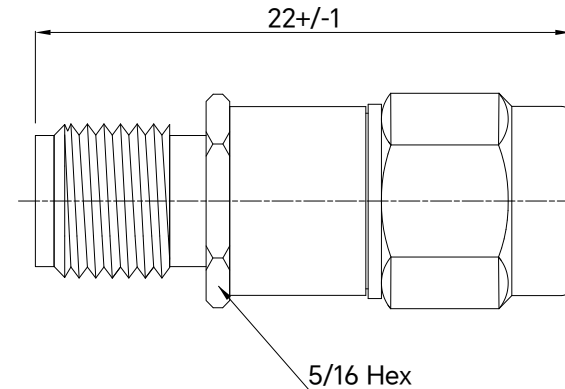


PART NUMBER TMDB-0118-SMSF	REV.	DATE	COMMENTS	INITIAL
	1	2022/8/16	ENGINEERING RELEASE	

RoHS Compliant

Electrical Data

Frequency Range	0.01~18.0GHz
Insertion Loss	≤ 0.7dB
VSWR	≤ 1.35
DC Voltage	50 Volts
Impedance	50 Ohm
Operational Temperature	-40°C~+125°C
Storage Temperature	-55°C~+165°C
Body Material	Stainless Steel 303
Inner Conductor	Gold Plated Beryllium Copper
Connectors	SMA-Male to SMA-Female
Relative Humidity	0~90%



Drawing not to scale, units:mm



www.titan-microwave.com
 Tel: +86 130 866 58398
 Email: sales@titan-microwave.com
 chris@titan-microwave.com

PART NUMBER TMDB-0118-SMSF		DESCRIPTION DC Block, 0.01-18GHz, 50V SMA-Male to SMA-Female
CAGE CODE	SIGNATURE _____	
EXCEPT AS OTHERWISE PROVIDED BY CONTRACTOR THIS DRAWING OR SPECIFICATION IS PROPERTY OF TITAN MICROWAVE INC. IT IS ISSUED IN STRICT CONFIDENCE AND SHALL NOT BE REPRODUCED OR USED AS THE BASIS.		