

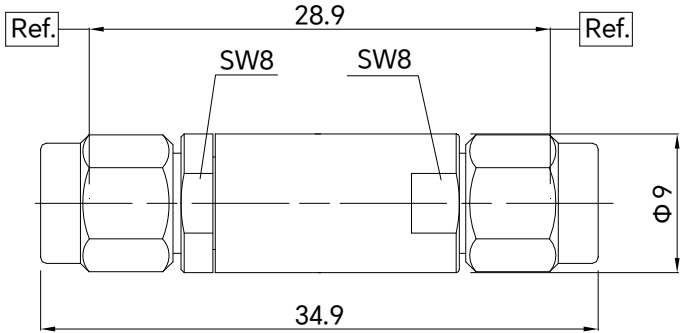
PART NUMBER
<b>TMDB-00526-ZMZM</b>

REV.	DATE	COMMENTS	INITIAL
1	2022/8/16	ENGINEERING RELEASE	

RoHS Compliant

**Electrical Data**

Frequency Range	0.005~26.5GHz
Insertion Loss	≤ 0.6dB
VSWR	≤ 1.25
DC Voltage	50 Volts
Impedance	50 Ohm
Operational Temperature	-55°C~+165°C
Storage Temperature	-55°C~+165°C
Body Material	Stainless Steel 303
Inner Conductor	Gold Plated Beryllium Copper
Connectors	3.5mm-Male to 3.5mm-Male
Relative Humidity	0~90%



Drawing not to scale, units:mm



www.titan-microwave.com  
 Tel: +86 130 866 58398  
 Email: sales@titan-microwave.com  
 chris@titan-microwave.com

PART NUMBER		DESCRIPTION
<b>TMDB-00526-ZMZM</b>		<b>DC Block, 0.005-18GHz, 50V 3.5mm-Male to 3.5mm-Male</b>
CAGE CODE	SIGNATURE	
	_____	
EXCEPT AS OTHERWISE PROVIDED BY CONTRACTOR THIS DRAWING OR SPECIFICATION IS PROPERTY OF TITAN MICROWAVE INC. IT IS ISSUED IN STRICT CONFIDENCE AND SHALL NOT BE REPRODUCED OR USED AS THE BASIS.		