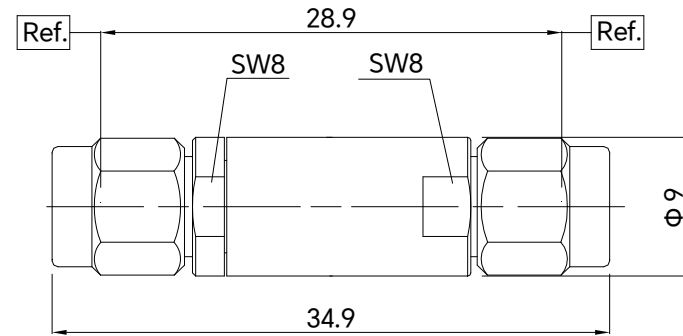


PART NUMBER <b>TMDB-0333-ZMZM</b>	REV.	DATE	COMMENTS	INITIAL
	1	2022/8/16	ENGINEERING RELEASE	

RoHS Compliant

**Electrical Data**

Frequency Range	0.03~33GHz
VSWR	≤ 1.25
Impedance	50 Ohm
Mating Life Cycles	500 Cycles
Temperature Range	-55°C~+125°C
Body Material	Stainless Steel 303
Inner Conductor	Glod Plated Beryllium Copper
Dielectric	PEI
Connectors	3.5mm-Male to 3.5mm-Male



Drawing not to scale, units:mm



www.titan-microwave.com  
 Tel: +86 130 866 58398  
 Email: sales@titan-microwave.com  
 chris@titan-microwave.com

PART NUMBER <b>TMDB-0333-ZMZM</b>		DESCRIPTION <b>Inner DC Block, 0.03-33GHz 3.5mm-Male to 3.5mm-Male</b>
CAGE CODE	SIGNATURE _____	
EXCEPT AS OTHERWISE PROVIDED BY CONTRACTOR THIS DRAWING OR SPECIFICATION IS PROPERTY OF TITAN MICROWAVE INC. IT IS ISSUED IN STRICT CONFIDENCE AND SHALL NOT BE REPRODUCED OR USED AS THE BASIS.		