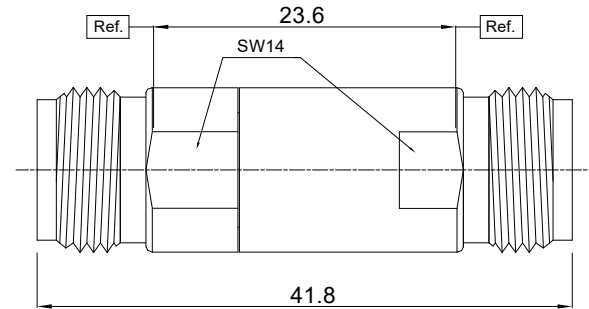


PART NUMBER TMDB-0118-NFNF	REV.	DATE	COMMENTS	INITIAL
	1	2022/8/16	ENGINEERING RELEASE	

RoHS Compliant

Electrical Data

Frequency Range	0.01~18.0GHz
VSWR	≤ 1.25
Impedance	50 Ohm
Durability(matings)	500 Cycles
Temperature Range	-55°C~+125°C
Connectors	N-Female to N-Female
Body Material	Stainless Steel 303
Inner Conductor	Glod Plated Beryllium Copper
Dielectric	PEI



Drawing not to scale, units:mm



www.titan-microwave.com
 Tel: +86 130 866 58398
 Email: sales@titan-microwave.com
 chris@titan-microwave.com

PART NUMBER TMDB-0118-NFNF		DESCRIPTION DC Block, 0.01-18GHz, 50 Ohm N-Female to N-Female
CAGE CODE	SIGNATURE	
EXCEPT AS OTHERWISE PROVIDED BY CONTRACTOR THIS DRAWING OR SPECIFICATION IS PROPERTY OF TITAN MICROWAVE INC. IT IS ISSUED IN STRICT CONFIDENCE AND SHALL NOT BE REPRODUCED OR USED AS THE BASIS.		