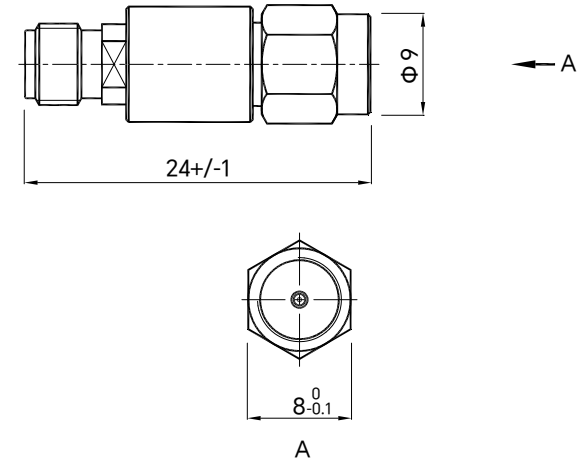


PART NUMBER TMDB-0127-SMSF100V	REV.	DATE	COMMENTS	INITIAL
	1	2022/8/16	ENGINEERING RELEASE	

RoHS Compliant

Electrical Data

Frequency Range	0.01~26.5GHz
Insertion Loss	≤ 0.6dB
VSWR	≤ 1.30:1
DC Voltage	≤ 100 Volts
Input Average Power	2W max@25°C (Derate linearly to 0.2W@100°C)
Impedance	50 Ohm
Operational Temperature	-55°C~+100°C
Connectors	SMA-Male to SMA-Female
Body Material	Stainless Steel, Passivated
Inner Conductor	Gold Plated Beryllium Copper
Net Weight	5g



Drawing not to scale, units:mm



www.titan-microwave.com
 Tel: +86 130 866 58398
 Email: sales@titan-microwave.com
 chris@titan-microwave.com

PART NUMBER TMDB-0127-SMSF100V		DESCRIPTION Inner DC Block, 0.01-26.5GHz, 100V SMA-Male to SMA-Female
CAGE CODE	SIGNATURE _____	
EXCEPT AS OTHERWISE PROVIDED BY CONTRACTOR THIS DRAWING OR SPECIFICATION IS PROPERTY OF TITAN MICROWAVE INC. IT IS ISSUED IN STRICT CONFIDENCE AND SHALL NOT BE REPRODUCED OR USED AS THE BASIS.		