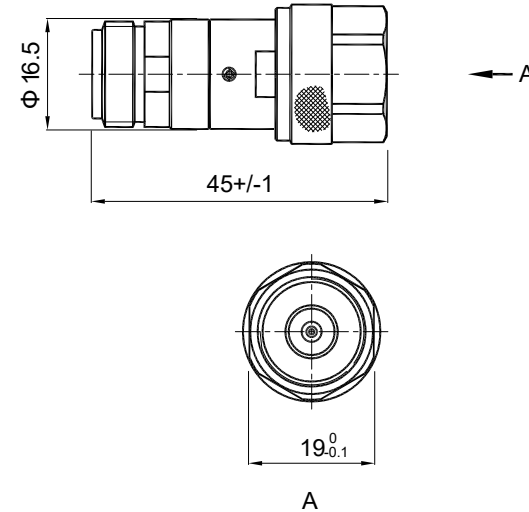


PART NUMBER TMDB-0108-NNF250V	REV.	DATE	COMMENTS	INITIAL
	1	2021/4/12	ENGINEERING RELEASE	

RoHS Compliant

Electrical Data

Frequency Range	0.01~8 GHz
Insertion Loss	≤ 0.4dB
VSWR	≤ 1.20:1
DC Voltage	≤ 250 Volts
Input Average Power	2W max@25°C (Derate linearly to 0.2W@100°C)
Impedance	50 Ohm
Operational Temperature	-55°C~+100°C
Connectors	N-Male to N-Female
Body Material	Ternary Alloy Plated Brass
Inner Conductor	Glod Plated Beryllium Copper
Net Weight	50g



Drawing not to scale, units:mm



www.titan-microwave.com
 Tel: +86 130 866 58398
 Email: sales@titan-microwave.com
 chris@titan-microwave.com

PART NUMBER TMDB-0108-NNF250V		DESCRIPTION Inner DC Block, 0.01-8GHz, 250V N-Male to N-Female
CAGE CODE	SIGNATURE _____	
EXCEPT AS OTHERWISE PROVIDED BY CONTRACTOR THIS DRAWING OR SPECIFICATION IS PROPERTY OF TITAN MICROWAVE INC. IT IS ISSUED IN STRICT CONFIDENCE AND SHALL NOT BE REPRODUCED OR USED AS THE BASIS.		