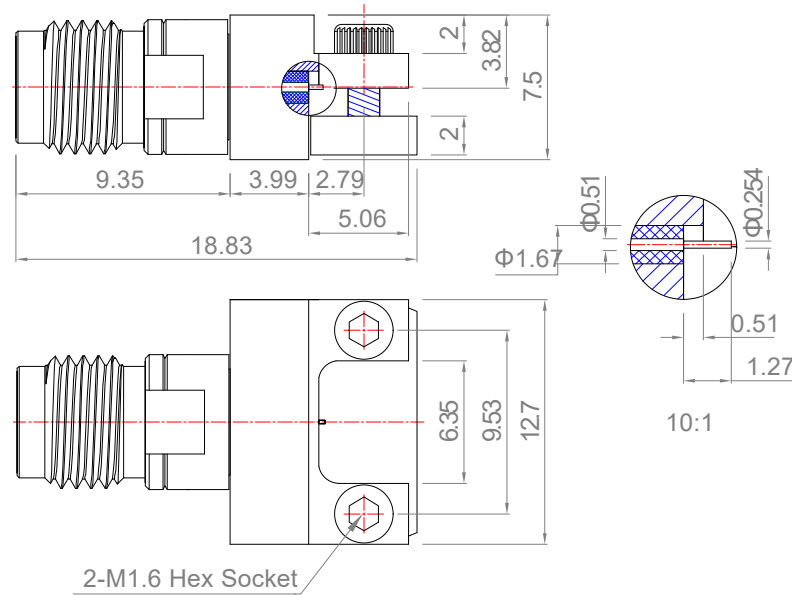


PART NUMBER <b>TMELC-K-A</b>	REV.	DATE	COMMENTS	INITIAL
	1	2020/6/23	ENGINEERING RELEASE	

**Specifications**

Frequency Range	DC-40GHz
Impedance	50 Ohm
VSWR	1.25 max
Operating Temperature	-55°C~+165°C
Durability(matings)	500 Cycles
Body Width	12.7mm
Pin Diameter	0.01 inch
PCB Thickness	2.5mm max
Connector	2.92mm-Female
Connector Body	Stainless Steel, Passivated
Pin Contact	Gold Plated Beryllium Copper
Dielectric	PEI
Transition Block	Stainless Steel, Passivated
Launch Pin	Gold Plated Beryllium Copper
Block Dielectric	PTFE


**RoHS Compliant**



Drawing not to scale, units:mm



www.titan-microwave.com  
 Tel: +86 130 866 58398  
 Email: sales@titan-microwave.com  
 chris@titan-microwave.com

PART NUMBER <b>TMELC-K-A</b>		DESCRIPTION <b>End Launch Connector, DC-40GHz 2.92mm-Female</b>
CAGE CODE	SIGNATURE	
EXCEPT AS OTHERWISE PROVIDED BY CONTRACTOR THIS DRAWING OR SPECIFICATION IS PROPERTY OF TITAN MICROWAVE INC. IT IS ISSUED IN STRICT CONFIDENCE AND SHALL NOT BE REPRODUCED OR USED AS THE BASIS.		