

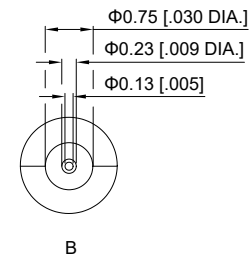
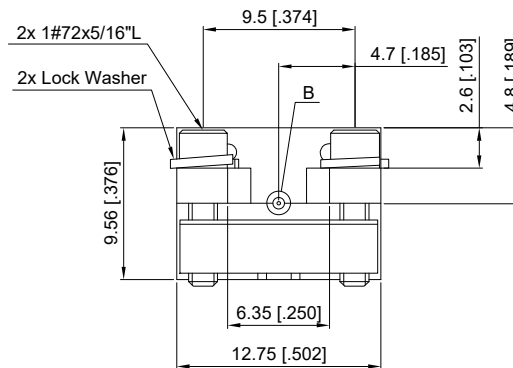
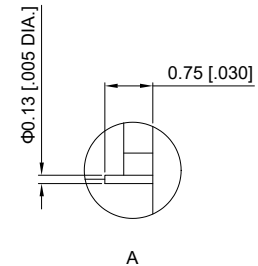
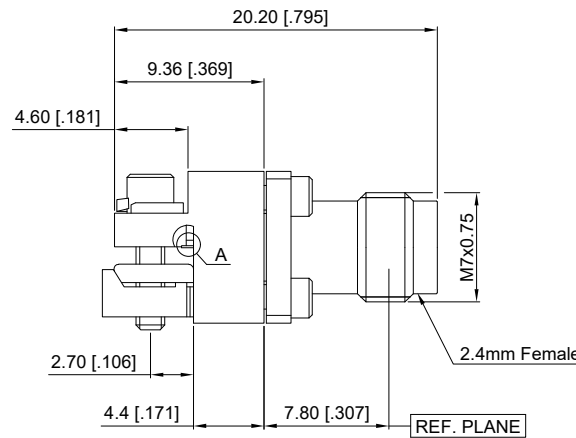
PART NUMBER TMELC-W-C

REV.	DATE	COMMENTS	INITIAL
1	2020/6/23	ENGINEERING RELEASE	

Specifications

Frequency Range	DC-50GHz
Impedance	50 Ohm
Temperature Range	-55°C~+165°C
Durability(matings)	500 Cycles
Body Width	12.75mm max
Pin Diameter	0.005 inch
Connector	2.4mm-Female
Connector Body	Stainless Steel(SU303), Passivated
Pin Contact	Gold Plated Beryllium Copper
Insulator	PEI & PTFE
Insulation Resistance	3000MΩ
Weight	20g

RoHS Compliant



Drawing not to scale, units:mm



www.titan-microwave.com
Tel: +86 130 866 58398
Email: sales@titan-microwave.com
chris@titan-microwave.com

PART NUMBER TMELC-W-C		DESCRIPTION End Launch Connector, DC-50GHz 2.4mm-Female
CAGE CODE	SIGNATURE	
EXCEPT AS OTHERWISE PROVIDED BY CONTRACTOR THIS DRAWING OR SPECIFICATION IS PROPERTY OF TITAN MICROWAVE INC. IT IS ISSUED IN STRICT CONFIDENCE AND SHALL NOT BE REPRODUCED OR USED AS THE BASIS.		