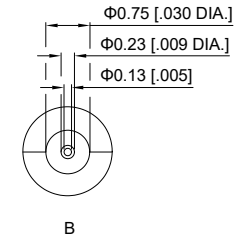
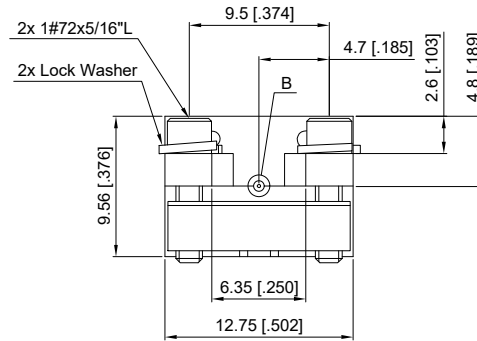
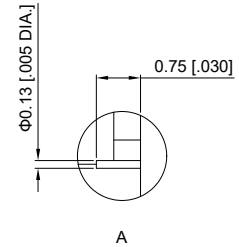
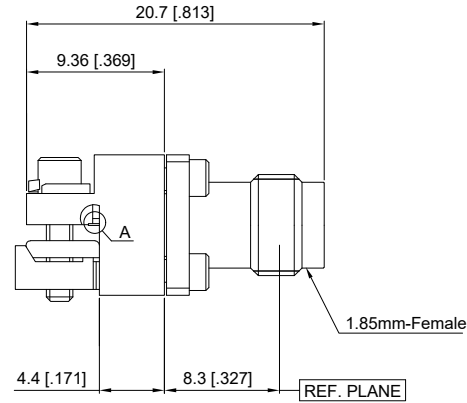


PART NUMBER <b>TMELC-V-B</b>	REV.	DATE	COMMENTS	INITIAL
	1	2020/6/23	ENGINEERING RELEASE	

**Specifications**

Frequency Range	DC-67GHz
Impedance	50 Ohm
Operating Temperature	-55°C~+165°C
Durability(matings)	500 Cycles
Connector	1.85mm-Female
Connector Body	Stainless Steel(SU303), Passivated
Body Width	12.75mm max
Pin Diameter	0.005 inch
Pin Contact	Gold Plated Beryllium Copper
Insulator	PEI & PTFE
Insulation Resistance	3000Ω
Weight	3g

**RoHS Compliant**



Drawing not to scale, units:mm[inch]



www.titan-microwave.com  
Tel: +86 130 866 58398  
Email: sales@titan-microwave.com  
chris@titan-microwave.com

PART NUMBER <b>TMELC-V-B</b>		DESCRIPTION <b>End Launch Connector, DC-67GHz 1.85mm-Female</b>
CAGE CODE	SIGNATURE _____	
EXCEPT AS OTHERWISE PROVIDED BY CONTRACTOR THIS DRAWING OR SPECIFICATION IS PROPERTY OF TITAN MICROWAVE INC. IT IS ISSUED IN STRICT CONFIDENCE AND SHALL NOT BE REPRODUCED OR USED AS THE BASIS.		