

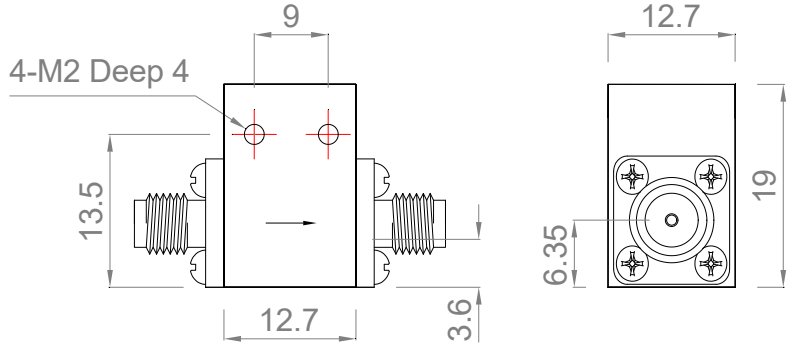
PART NUMBER
TMCI-06001020-15

REV.	DATE	COMMENTS	INITIAL
1	2021/6/25	ENGINEERING RELEASE	

Specifications

RoHS Compliant

Frequency Range	6-10.2GHz
Impedance	50 Ohm
Insertion Loss	0.6dB max
VSWR	1.35 max
Isolation	17dB min
Forward Power(CW)	15W
Reverse Power	2W
Rotation	Clockwise
Connectors	SMA-Female
Temperature Range	-40°C~+70°C
Surface Finish	Nickel Plated
Case Material	Aluminum Alloy



Drawing not to scale, units:mm



www.titan-microwave.com
Tel: +86 130 866 58398
Email: sales@titan-microwave.com
chris@titan-microwave.com

PART NUMBER TMCI-06001020-15		DESCRIPTION Coaxial Isolator, 6-10.2GHz, 15W SMA-Female
CAGE CODE	SIGNATURE	
EXCEPT AS OTHERWISE PROVIDED BY CONTRACTOR THIS DRAWING OR SPECIFICATION IS PROPERTY OF TITAN MICROWAVE INC. IT IS ISSUED IN STRICT CONFIDENCE AND SHALL NOT BE REPRODUCED OR USED AS THE BASIS.		