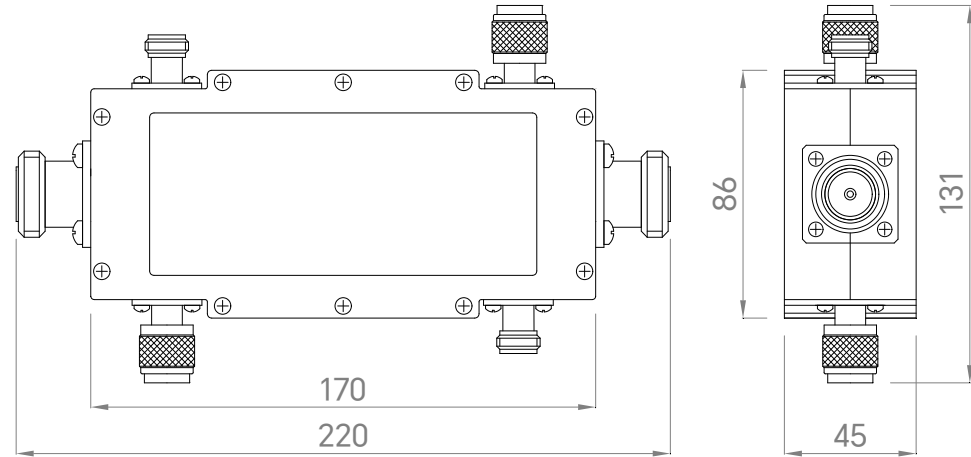


PART NUMBER TDDC-476M-50DN10KW	REV.	DATE	COMMENTS	INITIAL
	1	2023/7/25	ENGINEERING RELEASE	

Specifications

Frequency Range	476 ± 5MHz
Impedance	50 Ohm
Coupling	50 ± 0.5dB@476MHz
Directicity	20dB min
VSWR Primary	1.2 max
Insertion Loss	0.1dB max
Peak Power	10KW
Pulse Width	20~25us
Input Connectors	DIN 7/16-Female
Coupling Connectors	Type N-Female
Operational Temperature	-40°C~+70°C
Storage Temperature	-50°C~+100°C
Dimensions	220 × 131 × 45mm
Weight	1.5kg max
Connector Material	Nickel Plated Brass/Stainless Steel
Body Material	Aluminum

RoHS Compliant



Drawing not to scale, units:mm



www.titan-microwave.com
 Tel: +86 130 866 58398
 Email: sales@titan-microwave.com
 chris@titan-microwave.com

PART NUMBER TDDC-476M-50DN10KW		DESCRIPTION Dual Directional Coupler, 476 ± 5MHz 50dB Coupling, DIN 7/16 & Type-N
CAGE CODE	SIGNATURE _____	
EXCEPT AS OTHERWISE PROVIDED BY CONTRACTOR THIS DRAWING OR SPECIFICATION IS PROPERTY OF TITAN MICROWAVE INC. IT IS ISSUED IN STRICT CONFIDENCE AND SHALL NOT BE REPRODUCED OR USED AS THE BASIS.		