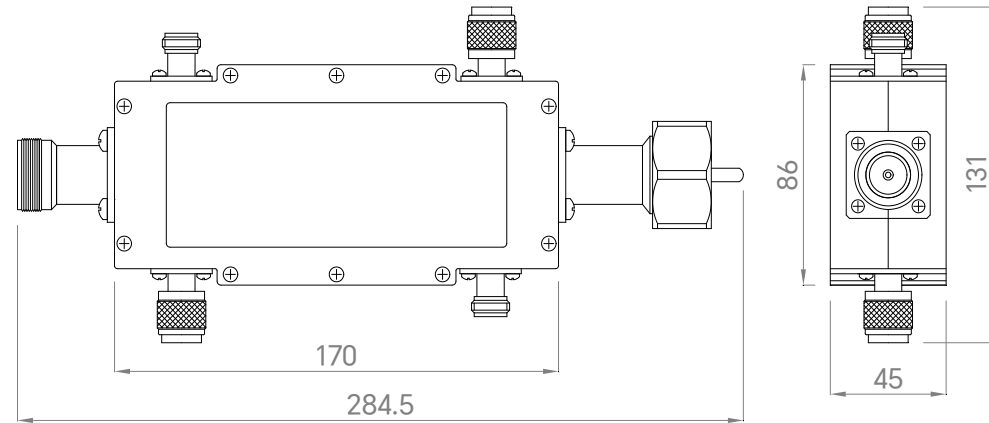


PART NUMBER TDDC-160024-50LN10KW	REV.	DATE	COMMENTS	INITIAL
	1	2023/7/25	ENGINEERING RELEASE	

Specifications

Frequency Range	1.6-2.4MHz
Impedance	50 Ohm
Coupling	50-55dB
Directicity	20dB min
VSWR Primary	1.2 max
Insertion Loss	0.05dB max
Average Power	10KW
Input Connectors	LC-Male & LC-Female
Coupling Connectors	Type N-Female
Operational Temperature	-40°C~+70°C
Storage Temperature	-50°C~+100°C
Dimensions	284.5 × 131 × 45mm
Weight	1.5kg max
Connector Material	Nickel Plated Brass
Body Material	Aluminum

RoHS Compliant



Drawing not to scale, units:mm



www.titan-microwave.com
 Tel: +86 130 866 58398
 Email: sales@titan-microwave.com
 chris@titan-microwave.com

PART NUMBER TDDC-160024-50LN10KW		DESCRIPTION Dual Directional Coupler, 1.6-2.4MHz 50dB Coupling, 10KW, LC & Type-N
CAGE CODE	SIGNATURE	
EXCEPT AS OTHERWISE PROVIDED BY CONTRACTOR THIS DRAWING OR SPECIFICATION IS PROPERTY OF TITAN MICROWAVE INC. IT IS ISSUED IN STRICT CONFIDENCE AND SHALL NOT BE REPRODUCED OR USED AS THE BASIS.		