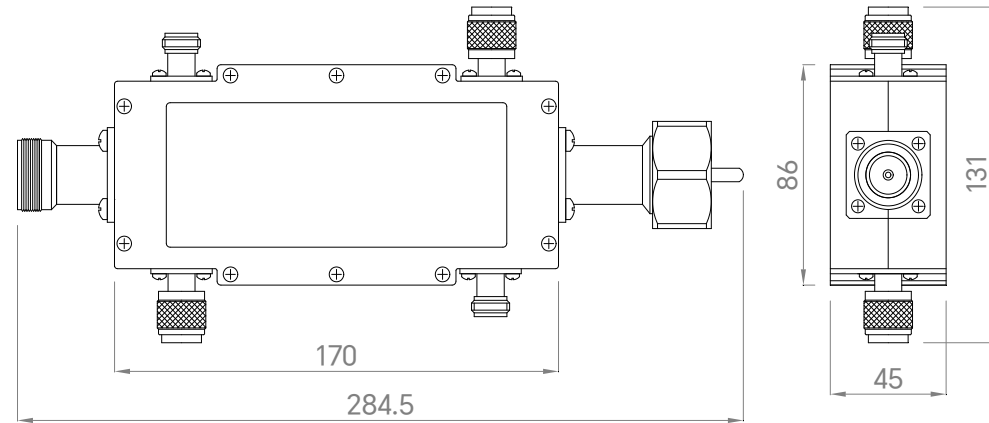


PART NUMBER <b>TDDC-036066-50LN10KW</b>	REV.	DATE	COMMENTS	INITIAL
	1	2023/7/25	ENGINEERING RELEASE	

**Specifications**

Frequency Range	36-66MHz
Impedance	50 Ohm
Coupling	50-56dB
Directicity	20dB min
VSWR Primary	1.2 max
Insertion Loss	0.05dB max
Average Power	10KW
Input Connectors	LC-Male & LC-Female
Coupling Connectors	Type N-Female
Operational Temperature	-40°C~+70°C
Storage Temperature	-50°C~+100°C
Dimensions	284.5 × 131 × 45mm
Weight	1.5kg max
Connector Material	Nickel Plated Brass
Body Material	Aluminum

**RoHS Compliant**



Drawing not to scale, units:mm



www.titan-microwave.com  
 Tel: +86 130 866 58398  
 Email: sales@titan-microwave.com  
 chris@titan-microwave.com

PART NUMBER <b>TDDC-036066-50LN10KW</b>		DESCRIPTION <b>Dual Directional Coupler, 36-66MHz 50dB Coupling, 10KW, LC &amp; Type-N</b>
CAGE CODE	SIGNATURE	
EXCEPT AS OTHERWISE PROVIDED BY CONTRACTOR THIS DRAWING OR SPECIFICATION IS PROPERTY OF TITAN MICROWAVE INC. IT IS ISSUED IN STRICT CONFIDENCE AND SHALL NOT BE REPRODUCED OR USED AS THE BASIS.		