

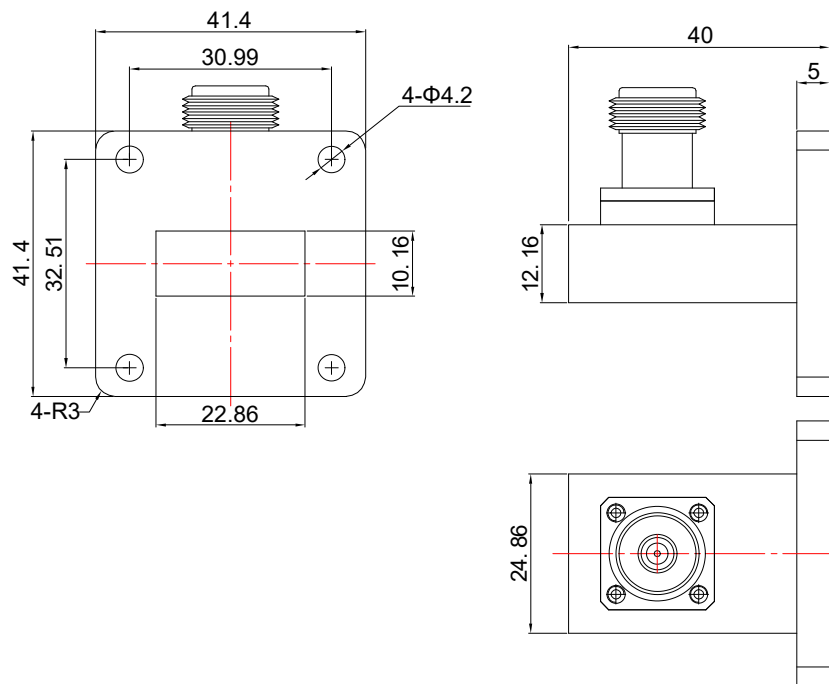
PART NUMBER
R-WR90-NF

REV.	DATE	COMMENTS	INITIAL
1	2023/9/14	ENGINEERING RELEASE	

RoHS Compliant

Specifications

Frequency Range 8.2-12.5GHz
 VSWR 1.2 max
 Flange Type FBP100
 Waveguide Type WR90
 Connector N-Female
 Material Aluminum
 Surface Finish Black Painted



Drawing not to scale, units:mm



www.titan-microwave.com
 Tel: +86 130 866 58398
 Email: sales@titan-microwave.com
 chris@titan-microwave.com

PART NUMBER R-WR90-NF		DESCRIPTION Waveguide to Coax Adapter, 8.2-12.5GHz WR90 to N-Female, Right Angle
CAGE CODE	SIGNATURE <i>Chris Chen</i>	
EXCEPT AS OTHERWISE PROVIDED BY CONTRACTOR THIS DRAWING OR SPECIFICATION IS PROPERTY OF TITAN MICROWAVE INC. IT IS ISSUED IN STRICT CONFIDENCE AND SHALL NOT BE REPRODUCED OR USED AS THE BASIS.		