

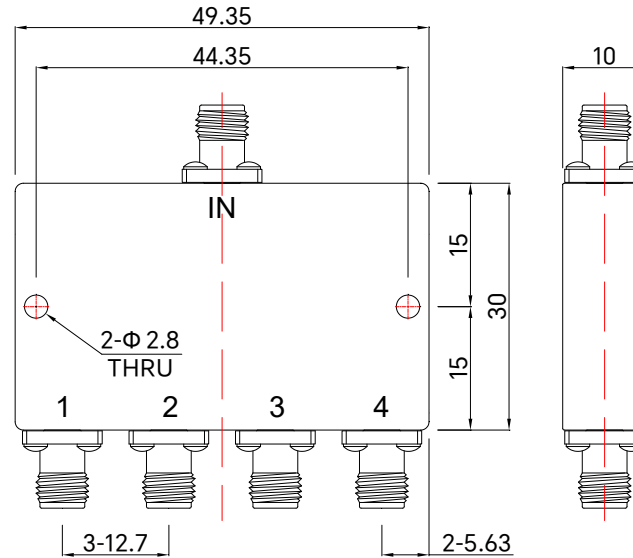
<b>PART NUMBER</b>
<b>TMPD4-07000900-30S</b>

<b>REV.</b>	<b>DATE</b>	<b>COMMENTS</b>	<b>INITIAL</b>
A	2023/9/21	ENGINEERING RELEASE	

**Specifications**

Frequency Range	7-9GHz
Insertion Loss	0.8dB max
Nominal Splitter Loss	6.02dB typ
VSWR	1.40:1 max
Isolation	18dB min
Amplitude Balance	± 0.3dB max
Phase Balance	± 3° max
Impedance	50 Ohm
Input/Output Connectors	SMA-Female
Connector Body	Stainless Steel, Passivated
Power Rating	30W(Forward)
Power Rating	2W(Reverse)
Operating Temperature	-40°C~+80°C
Surface Finishing	Black Painted
Dimensions	49.35 × 30 × 10mm

**RoHS Compliant**



Drawing not to scale, units:mm[inches]



www.titan-microwave.com  
 Tel: +86 130 866 58398  
 Email: sales@titan-microwave.com  
 chris@titan-microwave.com

<b>PART NUMBER</b>		<b>DESCRIPTION</b>
<b>TMPD4-07000900-30S</b>		
<b>CAGE CODE</b>	<b>SIGNATURE</b>	
	<i>Chris Chen</i>	
EXCEPT AS OTHERWISE PROVIDED BY CONTRACTOR THIS DRAWING OR SPECIFICATION IS PROPERTY OF TITAN MICROWAVE INC. IT IS ISSUED IN STRICT CONFIDENCE AND SHALL NOT BE REPRODUCED OR USED AS THE BASIS.		