

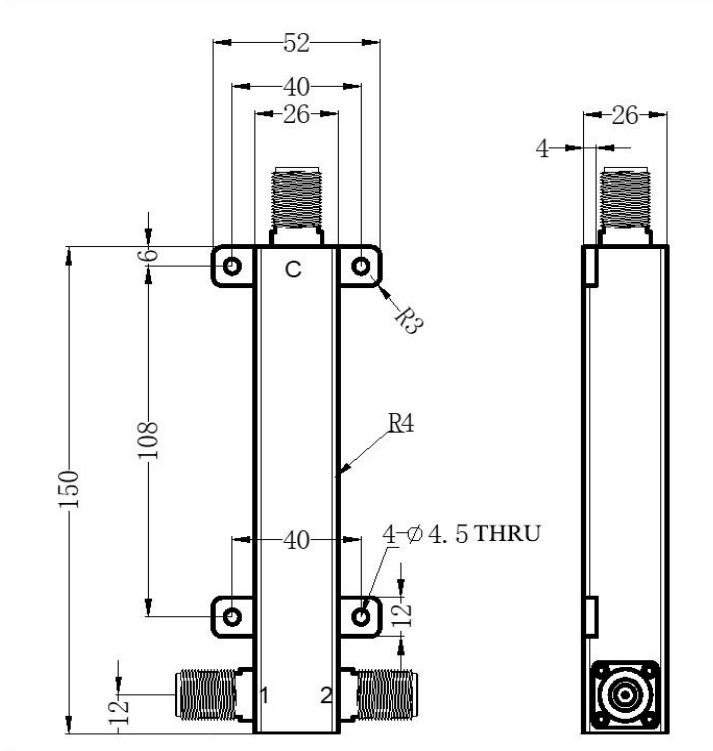
PART NUMBER
TMPD2-00520068-200N

REV.	DATE	COMMENTS	INITIAL
A	2020/4/25	ENGINEERING RELEASE	

Electrical Data

Frequency Range	520-680MHz
Insertion Loss	3.3dB max (excluding theoretical insertion loss 3dB)
VSWR(input)	1.4 max
Amplitude Balance	± 0.2dB max
Phase Balance	± 4° max
Impedance	50 Ohm
Power Handling	200W
Connectors	R53K401-500N5
Temperature Range	-45°C~+85°C

RoHS Compliant



Drawing not to scale, units:mm



www.titan-microwave.com
 Tel: +86 130 866 58398
 Email: sales@titan-microwave.com
 chris@titan-microwave.com

PART NUMBER		DESCRIPTION
TMPD2-00520068-200N		Power Divider, 2 Way, 520~680MHz 200W, R53K401-500N5
CAGE CODE	SIGNATURE	
EXCEPT AS OTHERWISE PROVIDED BY CONTRACTOR THIS DRAWING OR SPECIFICATION IS PROPERTY OF TITAN MICROWAVE INC. IT IS ISSUED IN STRICT CONFIDENCE AND SHALL NOT BE REPRODUCED OR USED AS THE BASIS.		