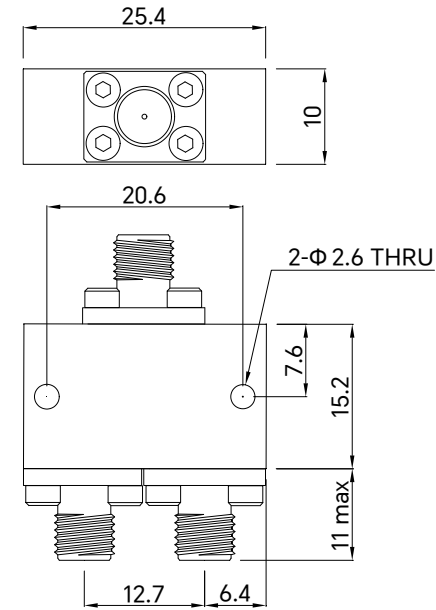


PART NUMBER TMPD2-40006700-12V	REV.	DATE	COMMENTS	INITIAL
	A	2020/4/25	ENGINEERING RELEASE	

Specifications

Frequency Range	40-67GHz
Insertion Loss (excluding theoretical insertion loss 3.0dB)	1.6dB max@40-50GHz, 2.1dB max@50-67GHz
VSWR(input)	1.7 max@40-50GHz, 1.8 max@50-67GHz
VSWR(output)	1.7 max@40-50GHz, 1.8 max@50-67GHz
Isolation	18dB min
Amplitude Balance	± 0.5dB max@40-50GHz, ± 0.6dB max@50-67GHz
Phase Balance	± 7° max@40-50GHz, ± 8° max@50-67GHz
Impedance	50 Ohm
Forward Power	12W max
Reverse Power	1W max
Peak Power	1KW max
Connectors	1.85mm-Female
Connector Body	Stainless Steel, Passivated
Dimensions	15.2 × 25.4 × 10mm
Surface Finish	Nickel Plated
Operating Temperature	-55°C~+85°C
Storage Temperature	-55°C~+100°C

RoHS Compliant



Drawing not to scale, units:mm



www.titan-microwave.com
 Tel: +86 130 866 58398
 Email: sales@titan-microwave.com
 chris@titan-microwave.com

PART NUMBER TMPD2-40006700-12V		DESCRIPTION Power Divider, 2 Way, 40-67GHz 12W, 1.85mm-Female
CAGE CODE	SIGNATURE _____	
EXCEPT AS OTHERWISE PROVIDED BY CONTRACTOR THIS DRAWING OR SPECIFICATION IS PROPERTY OF TITAN MICROWAVE INC. IT IS ISSUED IN STRICT CONFIDENCE AND SHALL NOT BE REPRODUCED OR USED AS THE BASIS.		