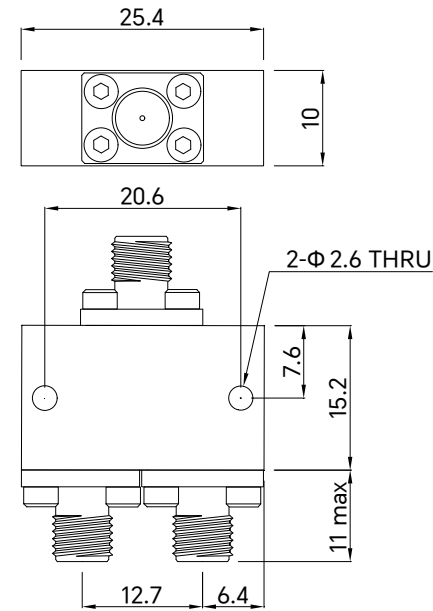


PART NUMBER TMPD2-26504000-20KA	REV.	DATE	COMMENTS	INITIAL
	A	2020/4/25	ENGINEERING RELEASE	

Specifications

Frequency Range	26.5-40GHz
Insertion Loss	1.2dB max
(excluding theoretical insertion loss 3.0dB)	
VSWR(input)	1.6:1 max
VSWR(output)	1.6:1 max
Isolation	20dB min
Amplitude Balance	± 0.3dB max
Phase Balance	± 3° max
Impedance	50 Ohm
Forward Power	20W max
Reverse Power	2W max
Peak Power	3KW max
Connectors	2.92mm-Female
Connector Body	Stainless Steel, Passivated
Operating Temperature	-55°C~+85°C
Storage Temperature	-55°C~+100°C
Dimensions	15.2 × 25.4 × 10mm
Surface Finish	Nickel Plated

RoHS Compliant



Drawing not to scale, units:mm



www.titan-microwave.com
 Tel: +86 130 866 58398
 Email: sales@titan-microwave.com
 chris@titan-microwave.com

PART NUMBER TMPD2-26504000-20KA		DESCRIPTION Power Divider, 2 Way, 26.5-40GHz 20W, 2.92mm-Female
CAGE CODE	SIGNATURE _____	
EXCEPT AS OTHERWISE PROVIDED BY CONTRACTOR THIS DRAWING OR SPECIFICATION IS PROPERTY OF TITAN MICROWAVE INC. IT IS ISSUED IN STRICT CONFIDENCE AND SHALL NOT BE REPRODUCED OR USED AS THE BASIS.		