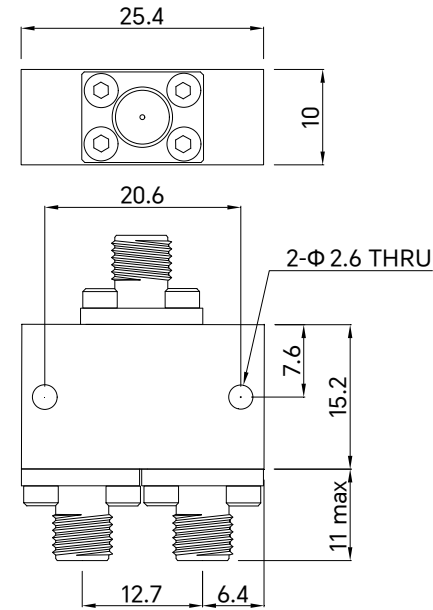


PART NUMBER <b>TMPD2-24004400-204</b>	REV.	DATE	COMMENTS	INITIAL
	A	2020/4/25	ENGINEERING RELEASE	

**Specifications**

Frequency Range	24-44GHz
Insertion Loss (excluding theoretical insertion loss 3.0dB)	1.3dB max
VSWR(input)	1.6:1 max
VSWR(output)	1.6:1 max
Isolation	18dB min
Amplitude Balance	± 0.4dB max
Phase Balance	± 4° max
Impedance	50 Ohm
Forward Power	20W max
Reverse Power	1W max
Peak Power	1KW max
Connectors	2.4mm-Female
Connector Body	Stainless Steel, Passivated
Operating Temperature	-55°C~+85°C
Storage Temperature	-55°C~+100°C
Dimensions	15.2 × 25.4 × 10mm
Surface Finish	Nickel Plated

RoHS Compliant



Drawing not to scale, units:mm



www.titan-microwave.com  
 Tel: +86 130 866 58398  
 Email: sales@titan-microwave.com  
 chris@titan-microwave.com

PART NUMBER <b>TMPD2-24004400-204</b>		DESCRIPTION <b>Power Divider, 2 Way, 24-44GHz 20W, 2.4mm-Female</b>
CAGE CODE	SIGNATURE _____	
EXCEPT AS OTHERWISE PROVIDED BY CONTRACTOR THIS DRAWING OR SPECIFICATION IS PROPERTY OF TITAN MICROWAVE INC. IT IS ISSUED IN STRICT CONFIDENCE AND SHALL NOT BE REPRODUCED OR USED AS THE BASIS.		