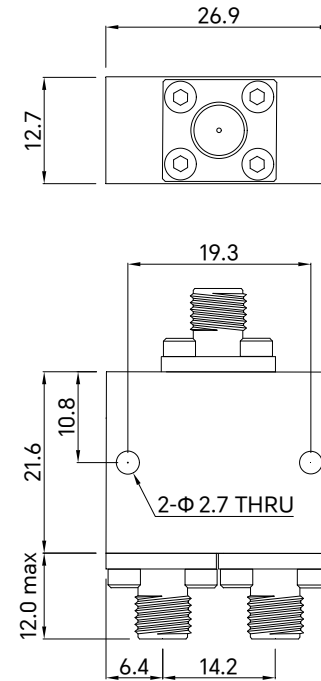


PART NUMBER <b>TMPD2-18006700-12V</b>	REV.	DATE	COMMENTS	INITIAL
	A	2020/4/25	ENGINEERING RELEASE	

### Specifications

Frequency Range	18-67GHz
Insertion Loss (excluding theoretical insertion loss 3.0dB)	1.5dB max@18-40GHz, 1.8dB max@40-50GHz, 2.3dB max@50-67GHz
VSWR(input)	1.7 max@18-40GHz, 1.8 max@40-67GHz
VSWR(output)	1.7 max@18-40GHz, 1.8 max@40-67GHz
Isolation	18dB min
Amplitude Balance	± 0.4dB max@18-40GHz, ± 0.5dB max@40-50GHz, ± 0.6dB max@50-67GHz
Phase Balance	± 6° max@18-40GHz, ± 7° max@40-50GHz, ± 8° max@50-67GHz
Impedance	50 Ohm
Forward Power	12W max
Reverse Power	1W max
Peak Power	1KW max
Connectors	1.85mm-Female
Connector Body	Stainless Steel, Passivated
Dimensions	21.6 × 26.9 × 12.7mm
Surface Finish	Nickel Plated
Operating Temperature	-55°C~+85°C
Storage Temperature	-55°C~+100°C

RoHS Compliant



Drawing not to scale, units:mm



www.titan-microwave.com  
 Tel: +86 130 866 58398  
 Email: sales@titan-microwave.com  
 chris@titan-microwave.com

PART NUMBER <b>TMPD2-18006700-12V</b>		DESCRIPTION <b>Power Divider, 2 Way, 18-67GHz 12W, 1.85mm-Female</b>
CAGE CODE	SIGNATURE	
EXCEPT AS OTHERWISE PROVIDED BY CONTRACTOR THIS DRAWING OR SPECIFICATION IS PROPERTY OF TITAN MICROWAVE INC. IT IS ISSUED IN STRICT CONFIDENCE AND SHALL NOT BE REPRODUCED OR USED AS THE BASIS.		