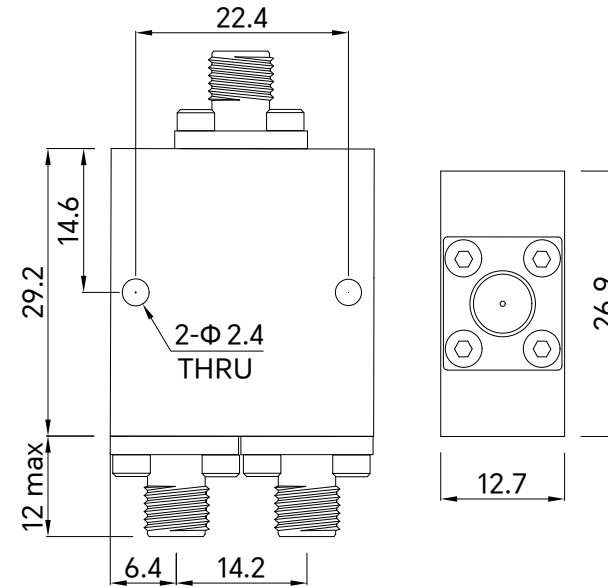


PART NUMBER TMPD2-06005000-204	REV.	DATE	COMMENTS	INITIAL
	A	2020/4/25	ENGINEERING RELEASE	

Specifications

Frequency Range	6-50GHz
Insertion Loss	1.0dB max@6-18GHz, 1.5dB max@18-40GHz 1.7dB max@40-50GHz (excluding theoretical insertion loss 3.0dB)
VSWR	1.5 max@6-18GHz, 1.6 max@18-40GHz 1.7 max@40-50GHz
Isolation	16dB min@6-50GHz
Amplitude Balance	± 0.2dB max@6-18GHz, ± 0.3dB max@18-40GHz ± 0.4dB max@40-50GHz
Phase Balance	± 3° max@6-18GHz, ± 4° max@18-40GHz ± 5° max@40-50GHz
Impedance	50 Ohm
Forward Power	20W max
Reverse Power	1W max
Peak Power	1KW max
Connectors	2.4mm-Female
Connector Body	Stainless Steel, Passivated
Surface Finish	Nickel Plated
Operating Temperature	-55°C~+85°C
Storage Temperature	-55°C~+100°C

RoHS Compliant



Drawing not to scale, units:mm



www.titan-microwave.com
Tel: +86 130 866 58398
Email: sales@titan-microwave.com
chris@titan-microwave.com

PART NUMBER TMPD2-06005000-204		DESCRIPTION Power Divider, 2 Way, 6-50GHz 20W, 2.4mm-Female
CAGE CODE	SIGNATURE	
EXCEPT AS OTHERWISE PROVIDED BY CONTRACTOR THIS DRAWING OR SPECIFICATION IS PROPERTY OF TITAN MICROWAVE INC. IT IS ISSUED IN STRICT CONFIDENCE AND SHALL NOT BE REPRODUCED OR USED AS THE BASIS.		